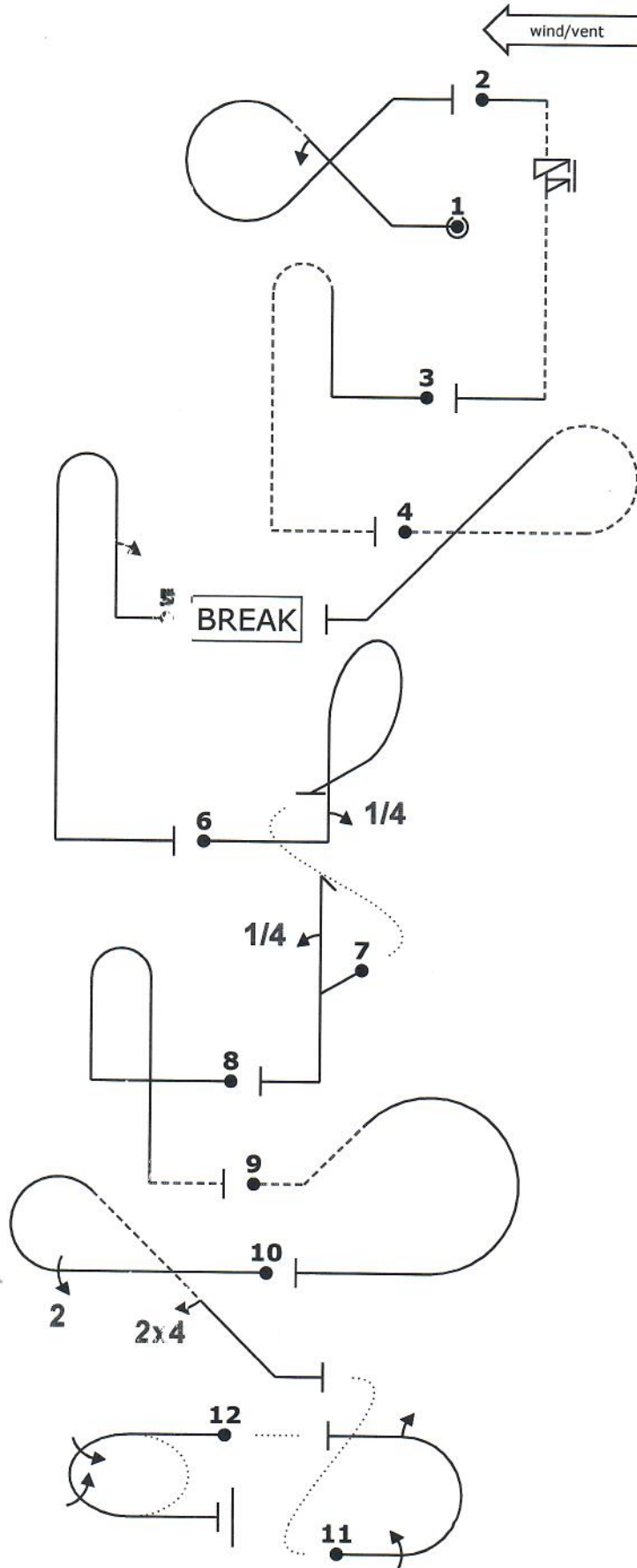
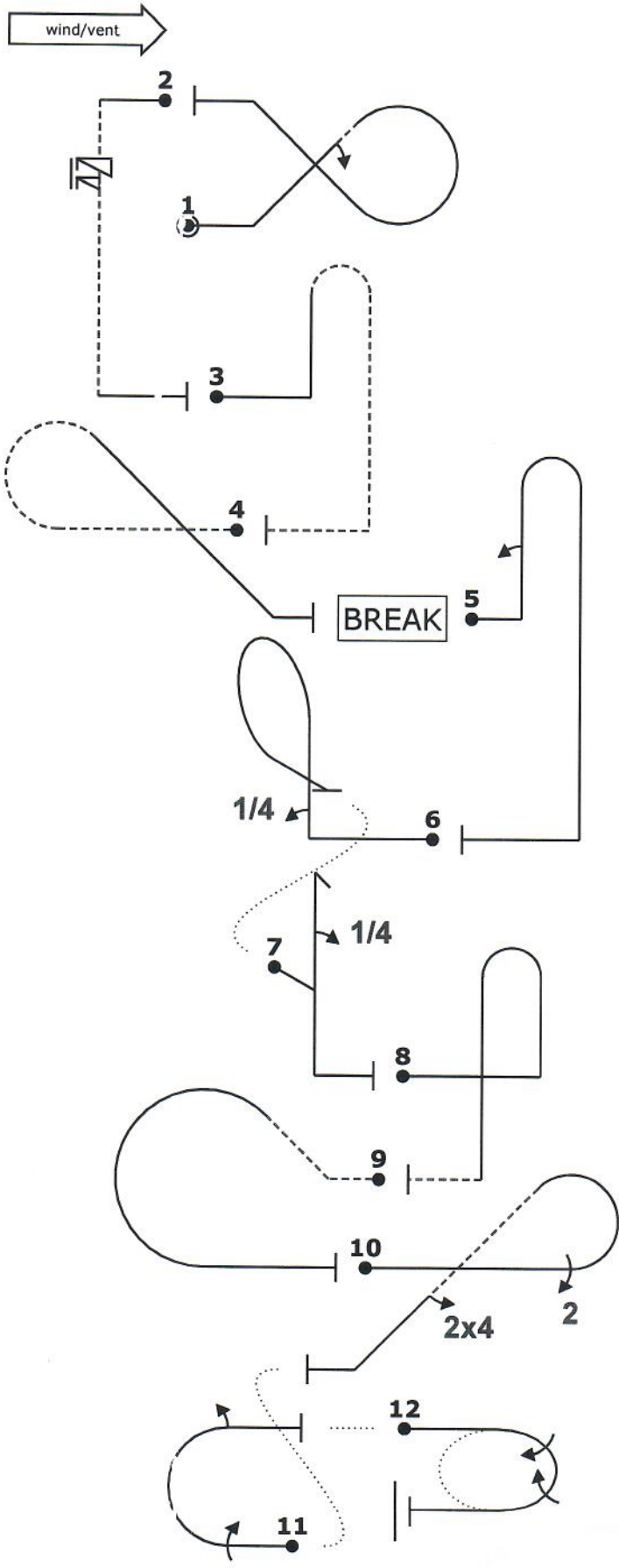


Compet 2024		Form B
Pilot ID	France Desavois/promotion libre	Flight #



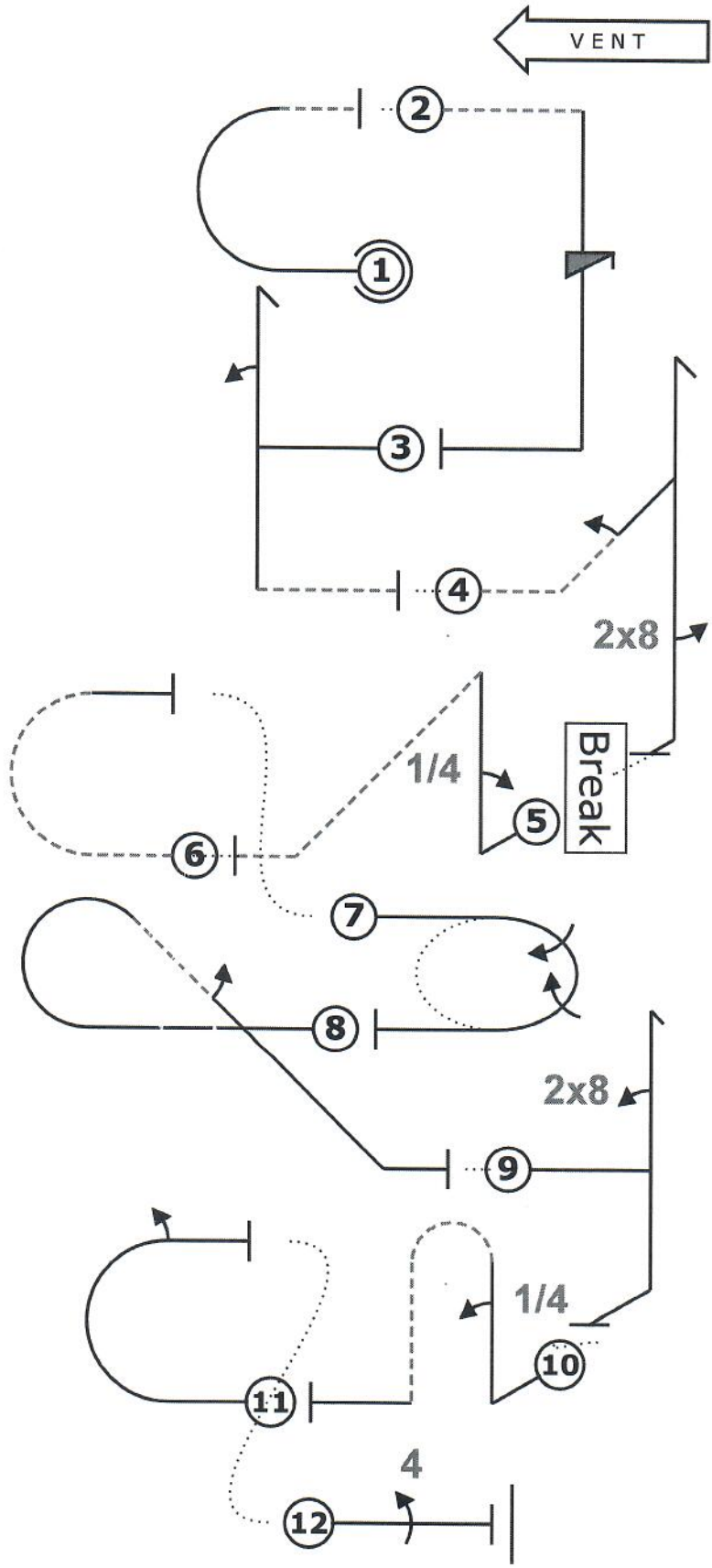
Julie QUEBRE Pilot  
 CAP10 F-G6YL  
 A/C

Compet 2024		Form C
Pilot ID	France Desavois/promotion libre	Flight #



Julie QUEBRE Pilot  
 CAP10 F-G6YL A/C

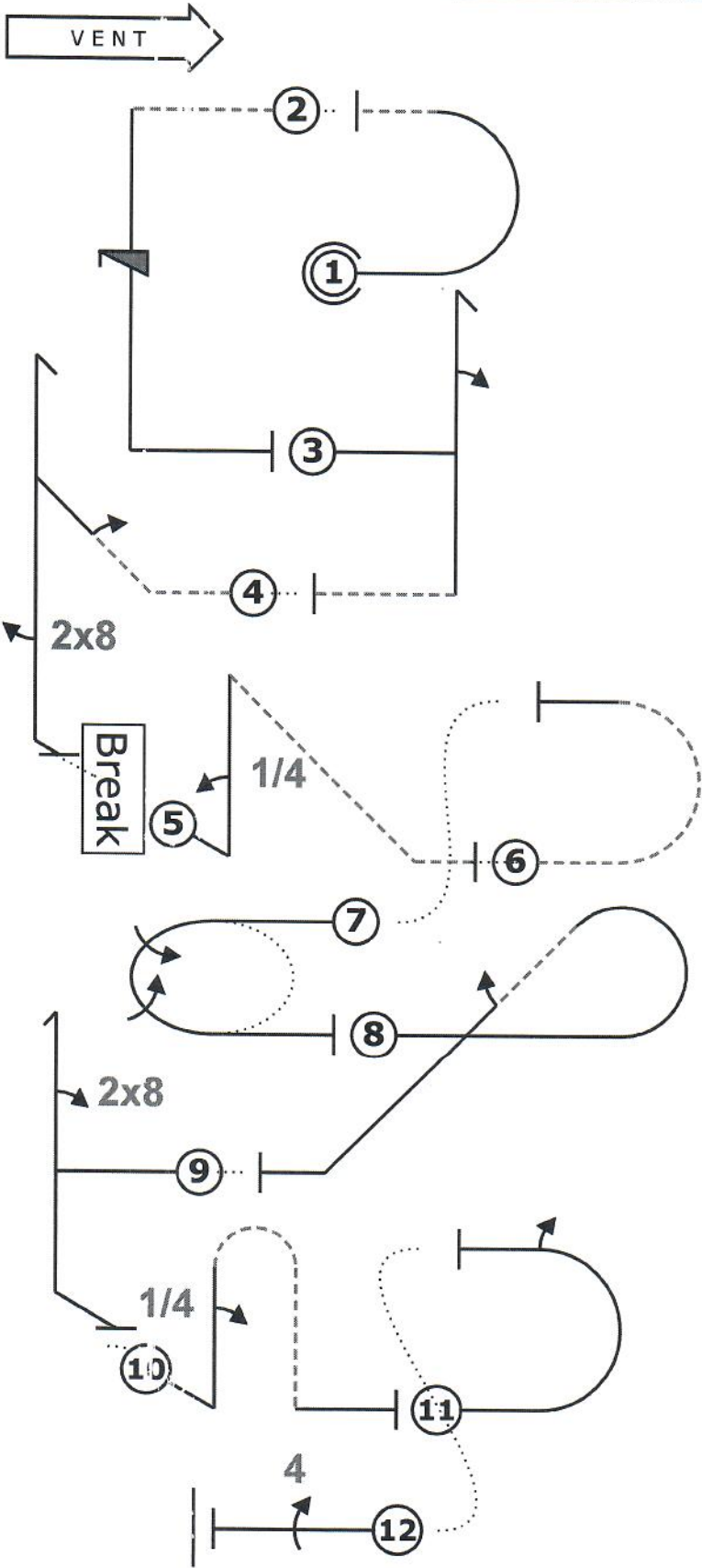
Coupe Sud - Vichy		Form B
Pilote ID	France Desavois/promotion libre	Vol N°



ed /m- [-1,0] -iv.is.' + ~2h' - (-1,0) /-2dh('). ' | 8. ... (2,-1) "Break" '+', '| "4'k''-' (2,0) -m (5,11) 2j2 -2% c.' 2... (-1,0) ~8hw (2, 0) ''+'|"4pb'''+ m2 (-1,14) 44

**Damien REBMANN** Pilote  
**Cap 10 C F-FATA** Avion

Coupe Sud - Vichy		Form C
Pilote ID	France Desavois/promotion libre	Vol N°

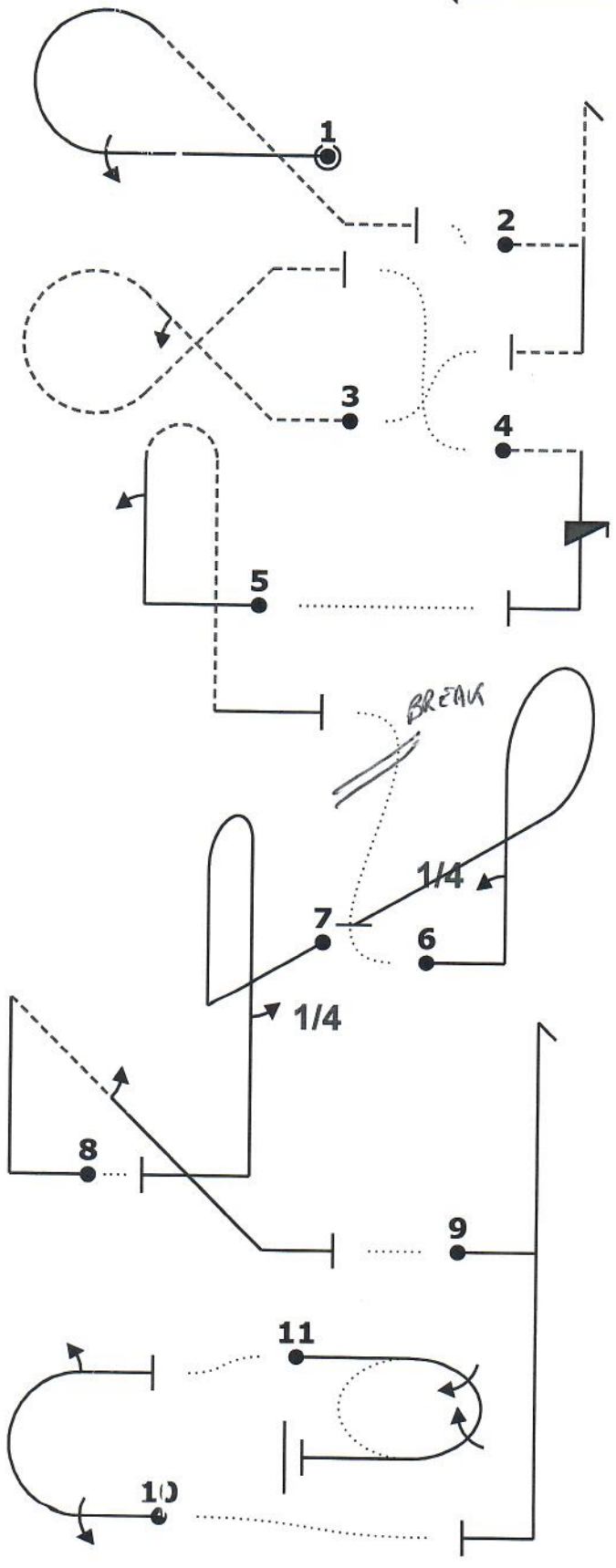


ed /m- [-1,0] -1v.is.''+ ~2h' - (-1,0) /-2dh(''),''["8.+'' (2,-1) ""Break" '+'',""4'k'''' (2,0) -m (5,11) 2j2 -2% c.'2.. (-1,0) ~-8h~ (2, 0) ''+"'"4pb'''+ m2 (-1,14) 44

**Benjamin REBMANN** Pilote  
**Cap 10 CCF-HATA**  
 Avion

		Form B
Pilot ID	France Desavois/promotion libre	Flight #

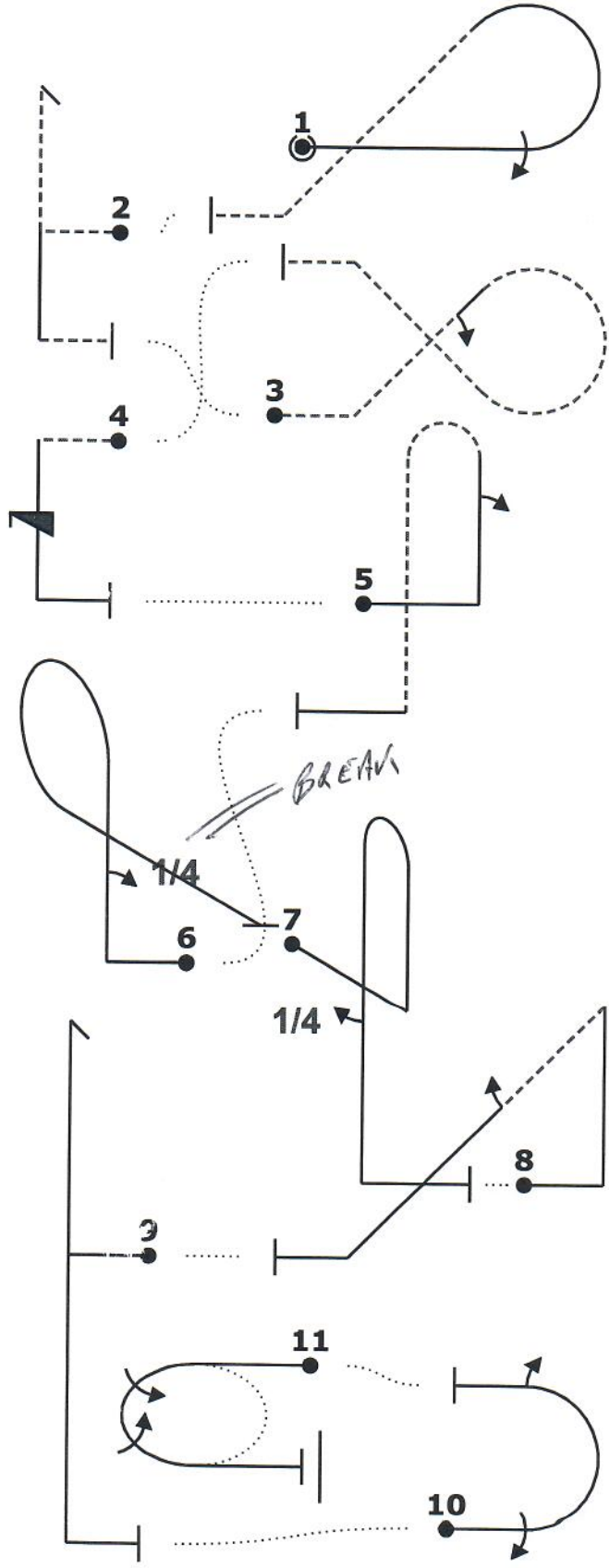
← wind/vent



**CROCHU ROMAIN** Pilot  
**EXTRA 200 F-HUME** A/C

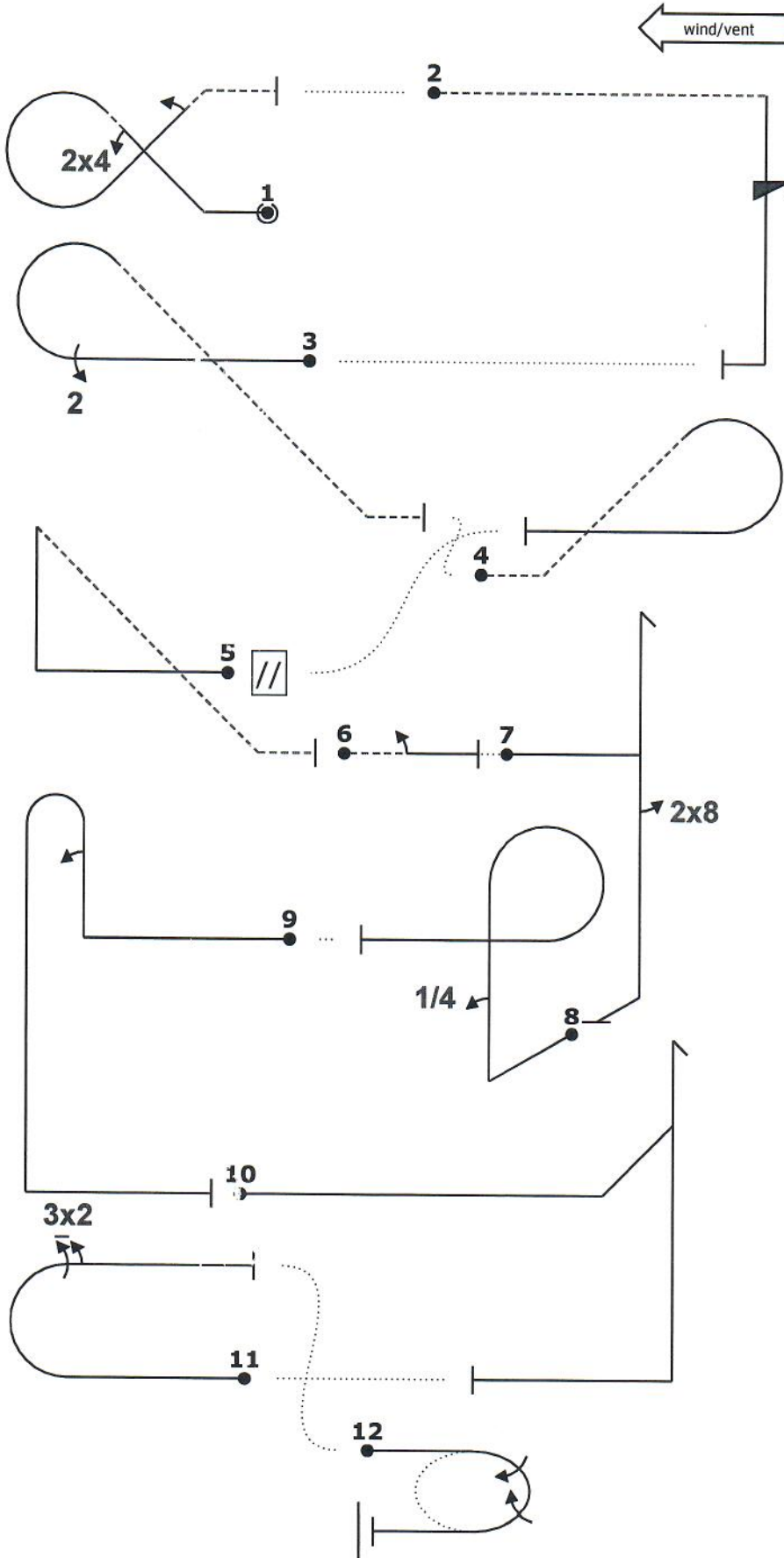
Pilot ID		Form C
France Desavois/promotion libre		Flight #

wind/vent →



**CROCHU ROMAIN**  
Pilot  
**EXTRA 200 F-HUME**  
A/C

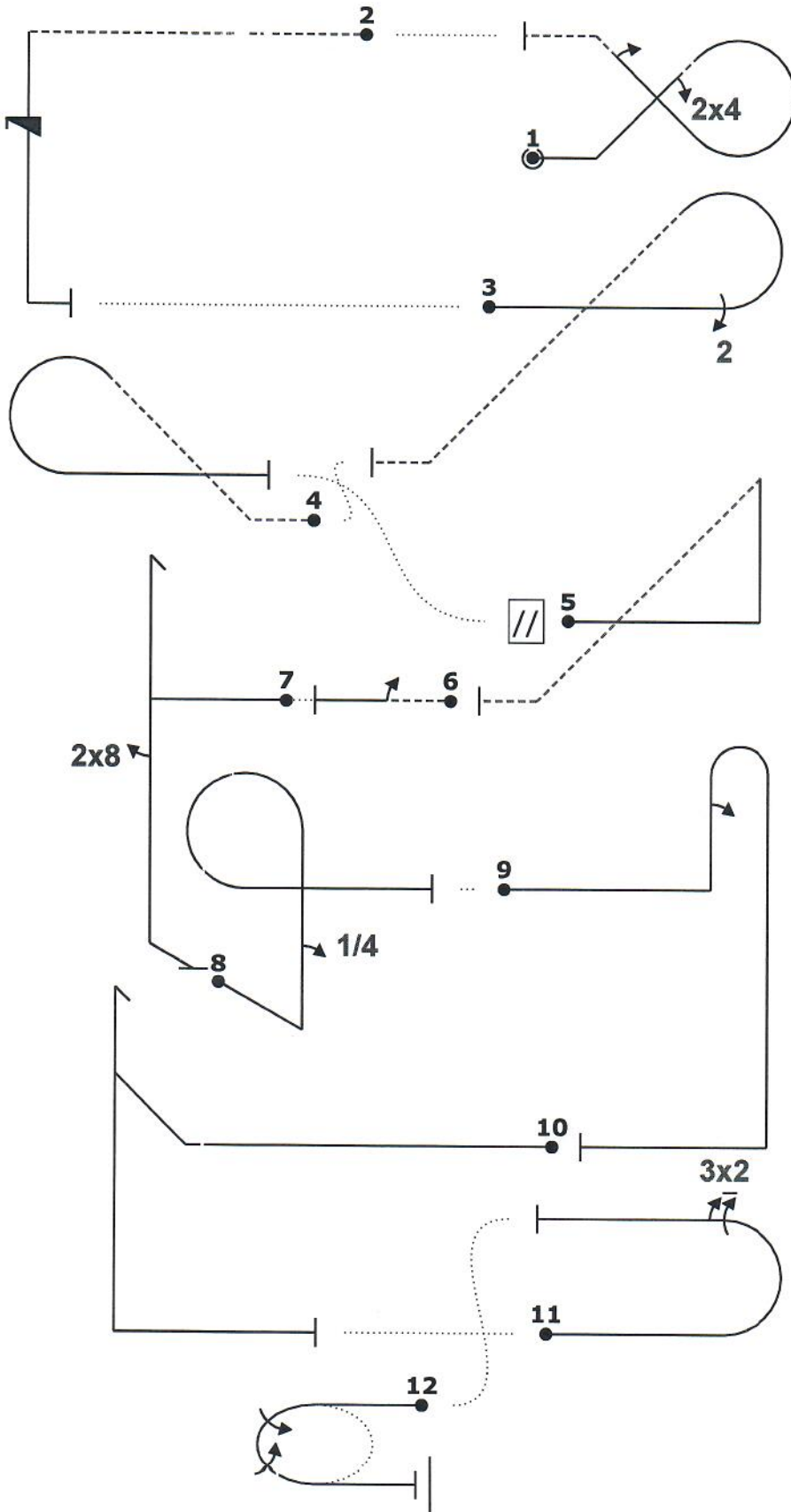
		Form B
Pilot ID	France Desavois/promotion libre	Flight #



*Errol*  
**Errol LECLERCQ** Pilot  
 CAP 10 C F-PCAP A/C

		Form C
Pilot ID	France Desavois/promotion libre	Flight #

wind/vent →



*Emile*  
**Emile LECLERCQ** Pilot  
 CAP 10 C F-PCAP  
 A/C