

FAI AEROBATICS COMMISSION

Orange Oct 2020

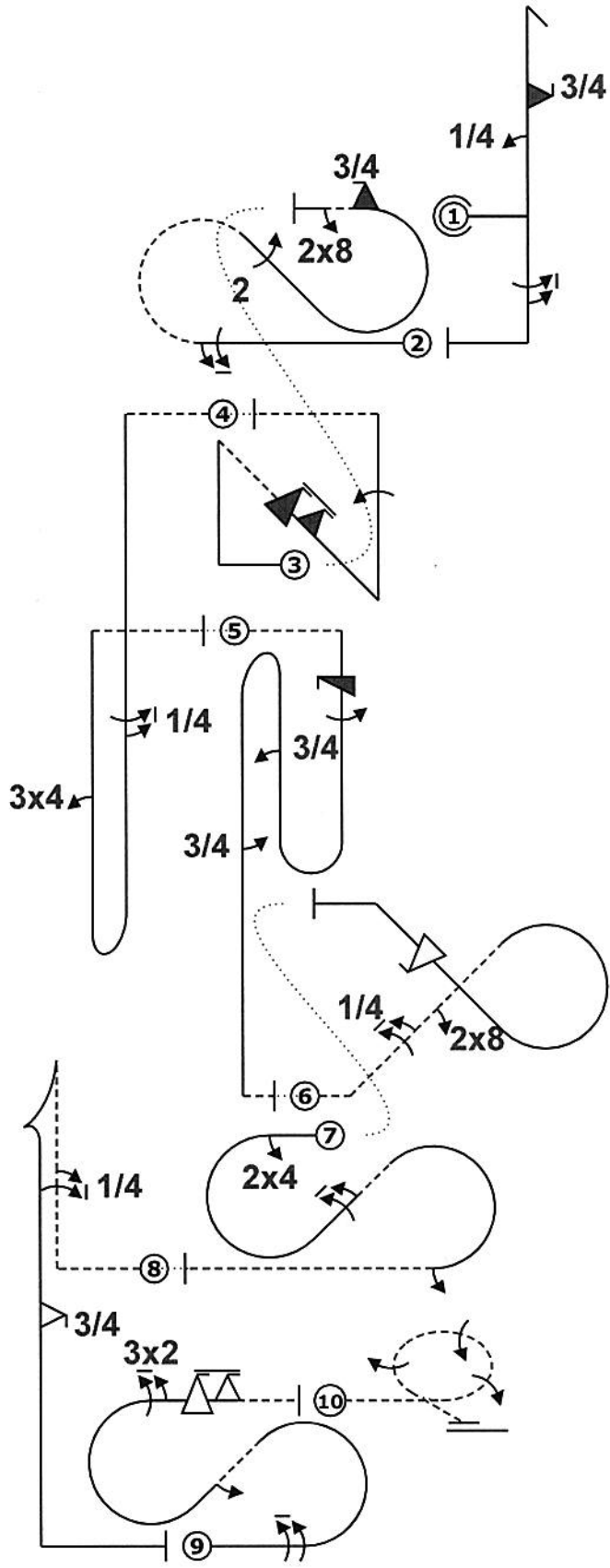
Form B

Pilote ID

CIVA Unlimited Programme1

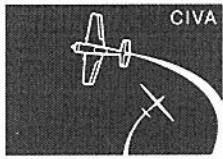
Vol N°

1



| Avion | | | |
|---------|---------------------------------------|----|----|
| Fig | Aresti | K | |
| 1 D | 5.2.1.1 | 17 | 50 |
| | 9.1.1.1 | 6 | |
| | 9.10.1.3 | 17 | |
| | 9.1.5.6 | 10 | |
| 2 C | 7.5.6.1 | 16 | 53 |
| | 9.1.3.6 | 10 | |
| | 9.2.4.4 | 9 | |
| | 9.10.8.3 | 15 | |
| | 9.8.3.1 | 3 | |
| 3 | 1.3.11.1 | 20 | 48 |
| | 9.10.4.6 | 16 | |
| | 9.1.1.4 | 12 | |
| 4 | 8.4.1.4 | 13 | 34 |
| | 9.1.5.5 | 9 | |
| | 9.4.1.3 | 12 | |
| 5 | 8.8.2.4 | 19 | 50 |
| | 9.12.1.4 | 7 | |
| | 9.1.5.4 | 8 | |
| | 9.1.1.3 | 10 | |
| 6 A | 9.1.5.3 | 6 | 43 |
| | 7.3.1.2 | 14 | |
| | 9.1.2.5 | 11 | |
| | 9.8.2.1 | 5 | |
| 7 | 9.9.2.4 | 13 | 36 |
| | 7.5.8.3 | 15 | |
| | 9.4.3.2 | 5 | |
| | 9.1.2.6 | 12 | |
| 8 B | 9.1.3.2 | 4 | 42 |
| | 6.2.1.4 | 17 | |
| | 9.1.1.5 | 14 | |
| | 9.9.5.3 | 11 | |
| 9 | 7.5.2.1 | 15 | 57 |
| | 9.1.3.8 | 12 | |
| | 9.1.4.2 | 4 | |
| | 9.2.3.6 | 12 | |
| 10 E | 9.9.3.6 | 14 | 37 |
| | 2.3.5.4 | 37 | |
| | Total K = 450 (max K = 450) | | |

Marie Astles
Pilote
C-F-HUSA



FAI AEROBATICS COMMISSION

Orange Oct 2020

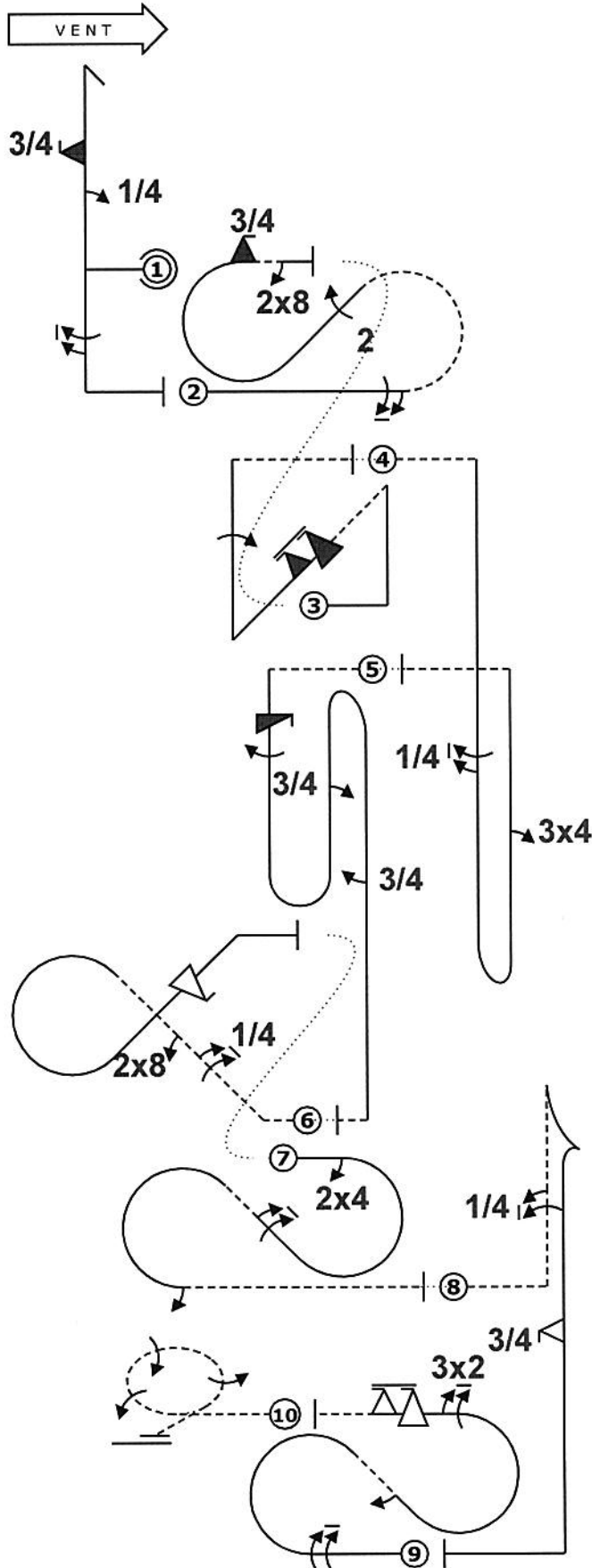
Form C

Pilote ID

CIVA Unlimited Programme1

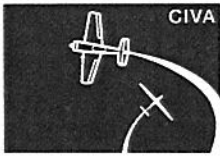
Vol N°

1



| Avion | | | |
|---------|---------------------------------------|----|----|
| Fig | Aresti | K | |
| 1 D | 5.2.1.1 | 17 | 50 |
| | 9.1.1.1 | 6 | |
| | 9.10.1.3 | 17 | |
| | 9.1.5.6 | 10 | |
| 2 C | 7.5.6.1 | 16 | 53 |
| | 9.1.3.6 | 10 | |
| | 9.2.4.4 | 9 | |
| | 9.10.8.3 | 15 | |
| | 9.8.3.1 | 3 | |
| 3 | 1.3.11.1 | 20 | 48 |
| | 9.10.4.6 | 16 | |
| | 9.1.1.4 | 12 | |
| 4 | 8.4.1.4 | 13 | 34 |
| | 9.1.5.5 | 9 | |
| | 9.4.1.3 | 12 | |
| 5 | 8.8.2.4 | 19 | 50 |
| | 9.12.1.4 | 7 | |
| | 9.1.5.4 | 8 | |
| | 9.1.1.3 | 10 | |
| 6 A | 9.1.5.3 | 6 | 43 |
| | 7.3.1.2 | 14 | |
| | 9.1.2.5 | 11 | |
| 7 | 9.8.2.1 | 5 | 36 |
| | 9.9.2.4 | 13 | |
| | 7.5.8.3 | 15 | |
| | 9.4.3.2 | 5 | |
| 8 B | 9.1.2.6 | 12 | 42 |
| | 9.1.3.2 | 4 | |
| | 6.2.1.4 | 17 | |
| | 9.1.1.5 | 14 | |
| 9 | 9.9.5.3 | 11 | 57 |
| | 7.5.2.1 | 15 | |
| | 9.1.3.8 | 12 | |
| | 9.1.4.2 | 4 | |
| | 9.2.3.6 | 12 | |
| 10 E | 9.9.3.6 | 14 | 37 |
| | 2.3.5.4 | 37 | |
| | Total K = 450 (max K = 450) | | |

(Signature)
 Ianie Astles Pilote
 C F-HUSA
 ion



CIVA

Open de France

Form B

FAI

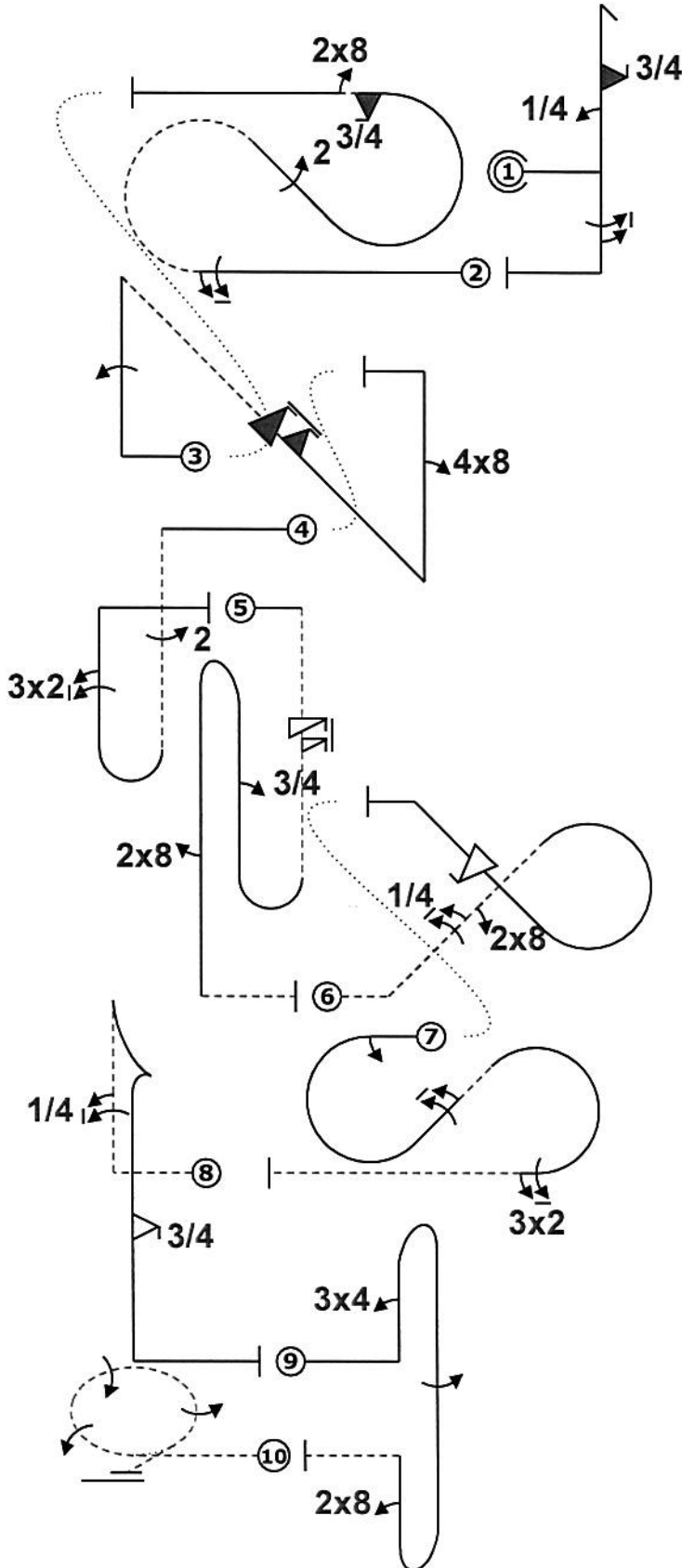
AEROBATICS
COMMISSION

Pilote ID

CIVA Unlimited Free Known

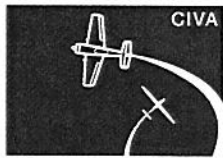
Vol N°

2



| Avion | | | |
|----------------------|----------|----------------------|----|
| Fig | Aresti | K | |
| 1 D | 5.2.1.1 | 17 | 50 |
| | 9.1.1.1 | 6 | |
| | 9.10.1.3 | 17 | |
| | 9.1.5.6 | 10 | |
| 2 C | 7.5.6.1 | 16 | 53 |
| | 9.1.3.6 | 10 | |
| | 9.2.4.4 | 9 | |
| | 9.10.8.3 | 15 | |
| | 9.8.3.1 | 3 | |
| 3 | 1.3.12.1 | 21 | 60 |
| | 9.1.1.4 | 12 | |
| | 9.10.4.6 | 16 | |
| | 9.8.1.2 | 11 | |
| 4 | 8.4.3.3 | 15 | 41 |
| | 9.2.5.4 | 9 | |
| | 9.2.1.6 | 17 | |
| 5 | 8.8.7.3 | 20 | 36 |
| | 9.11.1.6 | 3 | |
| | 9.1.1.3 | 10 | |
| | 9.8.5.1 | 3 | |
| 6 A | 7.3.1.2 | 14 | 43 |
| | 9.1.2.5 | 11 | |
| | 9.8.2.1 | 5 | |
| | 9.9.2.4 | 13 | |
| 7 | 7.5.8.3 | 15 | 43 |
| | 9.1.3.2 | 4 | |
| | 9.1.2.6 | 12 | |
| | 9.2.3.6 | 12 | |
| 8 B | 6.2.1.4 | 17 | 42 |
| | 9.1.1.5 | 14 | |
| | 9.9.5.3 | 11 | |
| 9 | 8.8.1.1 | 18 | 45 |
| | 9.4.1.3 | 12 | |
| | 9.1.5.4 | 8 | |
| | 9.8.1.1 | 7 | |
| 10 E | 2.3.5.4 | 37 | 37 |
| Total K = 450 | | (max K = 450) | |

[Signature]
RNEYRON Pilote
C-F-TGR



CIVA

Open de France

Form C

FAI

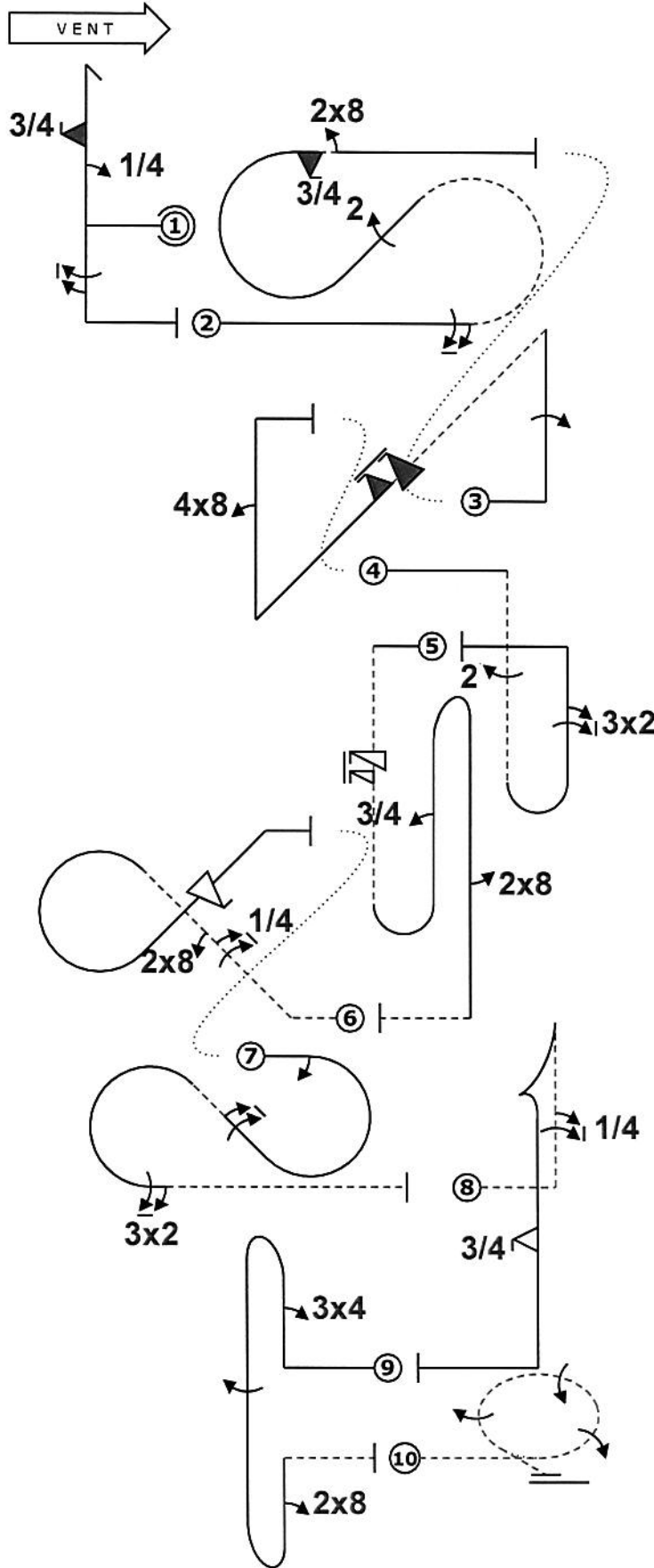
AEROBATICS
COMMISSION

Pilote ID

CIVA Unlimited Free Known

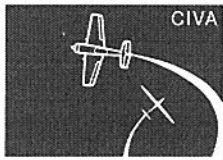
Vol N°

2



| Avion | | | |
|----------------------|----------|----------------------|----|
| Fig | Aresti | K | |
| 1 D | 5.2.1.1 | 17 | 50 |
| | 9.1.1.1 | 6 | |
| | 9.10.1.3 | 17 | |
| | 9.1.5.6 | 10 | |
| 2 C | 7.5.6.1 | 16 | 53 |
| | 9.1.3.6 | 10 | |
| | 9.2.4.4 | 9 | |
| | 9.10.8.3 | 15 | |
| | 9.8.3.1 | 3 | |
| 3 | 1.3.12.1 | 21 | 60 |
| | 9.1.1.4 | 12 | |
| | 9.10.4.6 | 16 | |
| | 9.8.1.2 | 11 | |
| 4 | 8.4.3.3 | 15 | 41 |
| | 9.2.5.4 | 9 | |
| | 9.2.1.6 | 17 | |
| 5 | 8.8.7.3 | 20 | 36 |
| | 9.11.1.6 | 3 | |
| | 9.1.1.3 | 10 | |
| | 9.8.5.1 | 3 | |
| 6 A | 7.3.1.2 | 14 | 43 |
| | 9.1.2.5 | 11 | |
| | 9.8.2.1 | 5 | |
| | 9.9.2.4 | 13 | |
| 7 | 7.5.8.3 | 15 | 43 |
| | 9.1.3.2 | 4 | |
| | 9.1.2.6 | 12 | |
| | 9.2.3.6 | 12 | |
| 8 B | 6.2.1.4 | 17 | 42 |
| | 9.1.1.5 | 14 | |
| | 9.9.5.3 | 11 | |
| 9 | 8.8.1.1 | 18 | 45 |
| | 9.4.1.3 | 12 | |
| | 9.1.5.4 | 8 | |
| | 9.8.1.1 | 7 | |
| 10 E | 2.3.5.4 | 37 | 37 |
| Total K = 450 | | (max K = 450) | |

[Signature]
RNEYRON Pilote
C-F-TGR



FAI

AEROBATICS
COMMISSION

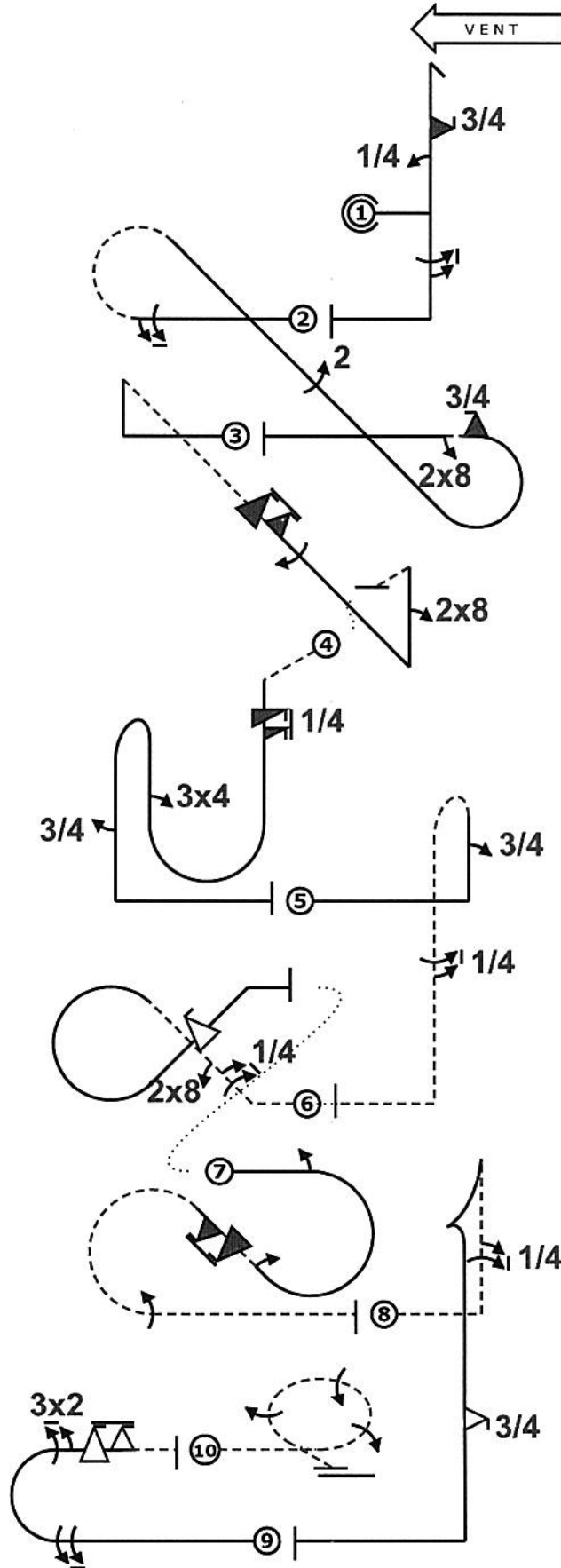
Pilote ID

CIVA Unlimited Programme 1

Form B

Vol N°

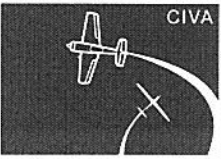
3



VERIFIE
12/10/2020
M. BRAGES

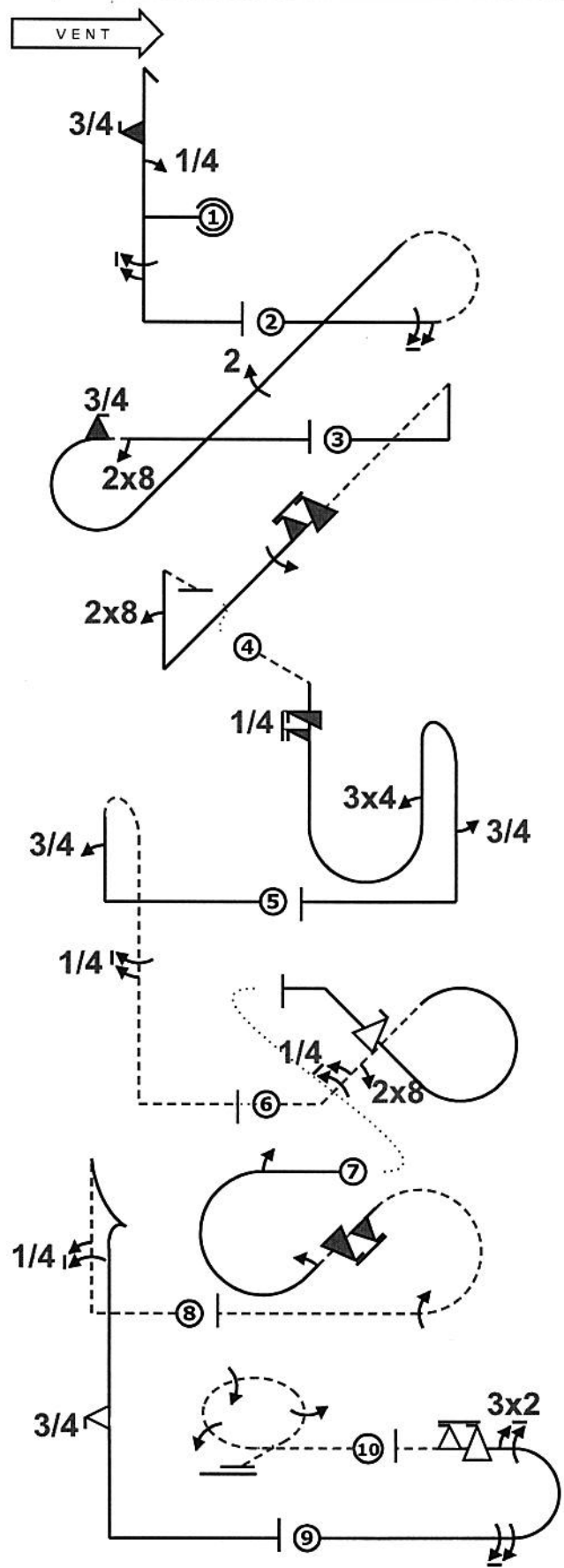
11/4/20
[Signature]

BRAGEOT Pilote
F-HMKF

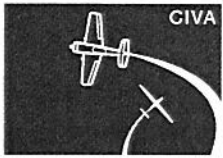


FAI AEROBATICS COMMISSION

| | | |
|-----------|---------------------------|----------|
| | | Form C |
| Pilote ID | CIVA Unlimited Programme1 | Vol N° 3 |



Vénkz
 12/10/2020
 Manager 11-41
 RAGEOT Pilote
 C-HMKF



FAI
AEROBATICS
COMMISSION

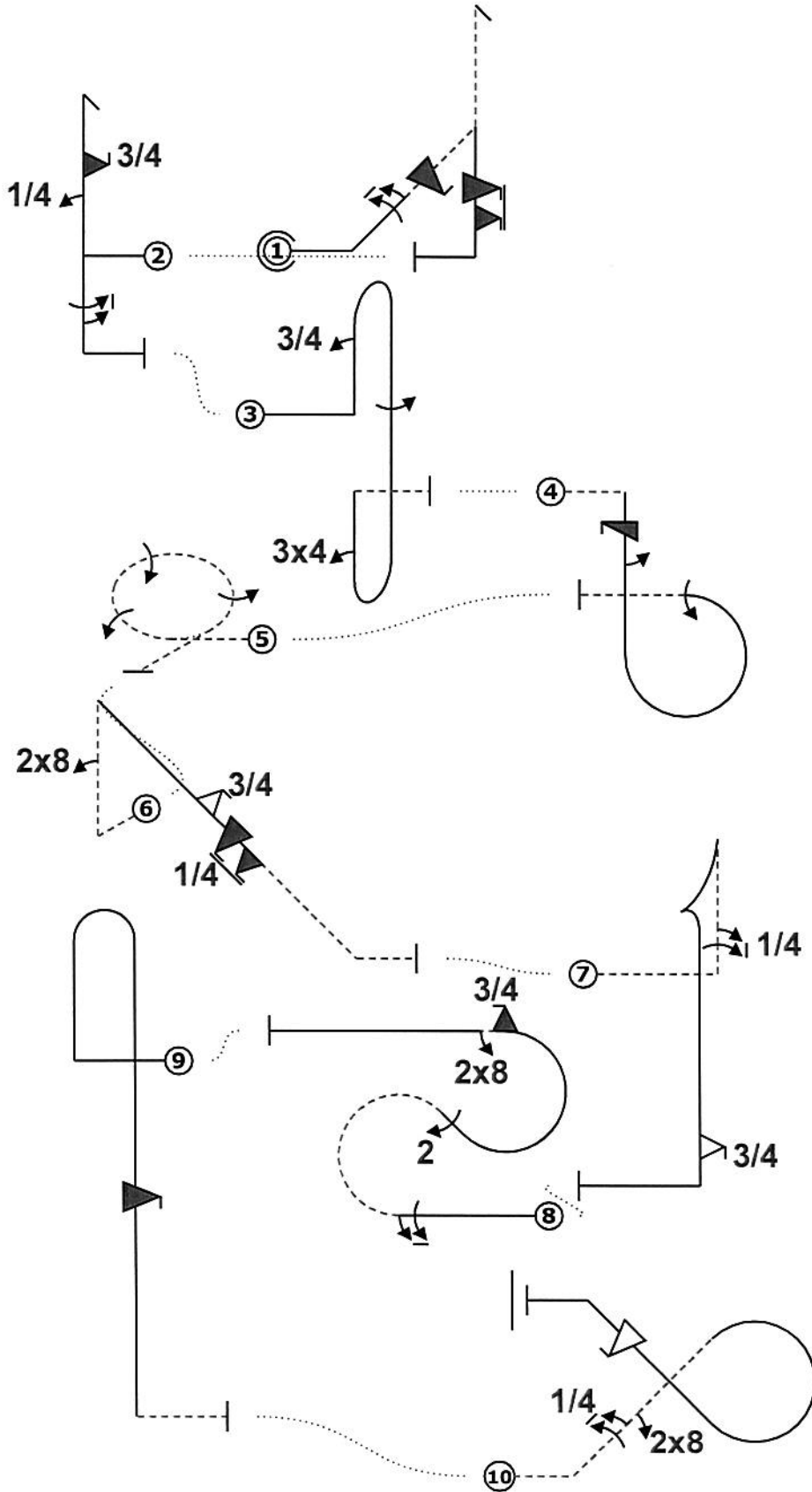
Pilote ID

CIVA Unlimited Programme 1

Form B

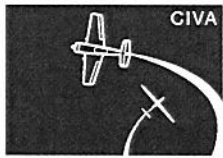
Vol N°

4



| Avion | | | |
|----------------------|-----------|----------------------|----|
| Fig | Aresti | K | |
| 1 | 5.3.2.1 | 24 | 67 |
| | 9.1.2.6 | 12 | |
| | 9.10.2.4 | 15 | |
| | 9.10.5.6 | 16 | |
| 2 D | 5.2.1.1 | 17 | 50 |
| | 9.1.1.1 | 6 | |
| | 9.10.1.3 | 17 | |
| | 9.1.5.6 | 10 | |
| 3 | 8.8.1.1 | 18 | 48 |
| | 9.1.1.3 | 10 | |
| | 9.1.5.4 | 8 | |
| | 9.4.1.3 | 12 | |
| 4 | 8.6.1.4 | 12 | 31 |
| | 9.12.1.4 | 7 | |
| | 9.1.5.2 | 4 | |
| | 9.1.3.4 | 8 | |
| 5 E | 2.3.5.4 | 37 | 37 |
| 6 | 1.2.7.2 | 17 | 50 |
| | 9.8.1.1 | 7 | |
| | 9.9.4.3 | 11 | |
| | 9.10.4.5 | 15 | |
| 7 B | 6.2.1.4 | 17 | 42 |
| | 9.1.1.5 | 14 | |
| | 9.9.5.3 | 11 | |
| 8 C | 7.5.6.1 | 16 | 53 |
| | 9.1.3.6 | 10 | |
| | 9.2.4.4 | 9 | |
| | 9.10.8.3 | 15 | |
| | 9.8.3.1 | 3 | |
| 9 | 8.4.2.1 | 14 | 29 |
| | 9.10.10.4 | 15 | |
| 10 A | 7.3.1.2 | 14 | 43 |
| | 9.1.2.5 | 11 | |
| | 9.8.2.1 | 5 | |
| | 9.9.2.4 | 13 | |
| Total K = 450 | | (max K = 450) | |

than vincent
Pilote
HMTM



FAI

AEROBATICS
COMMISSION

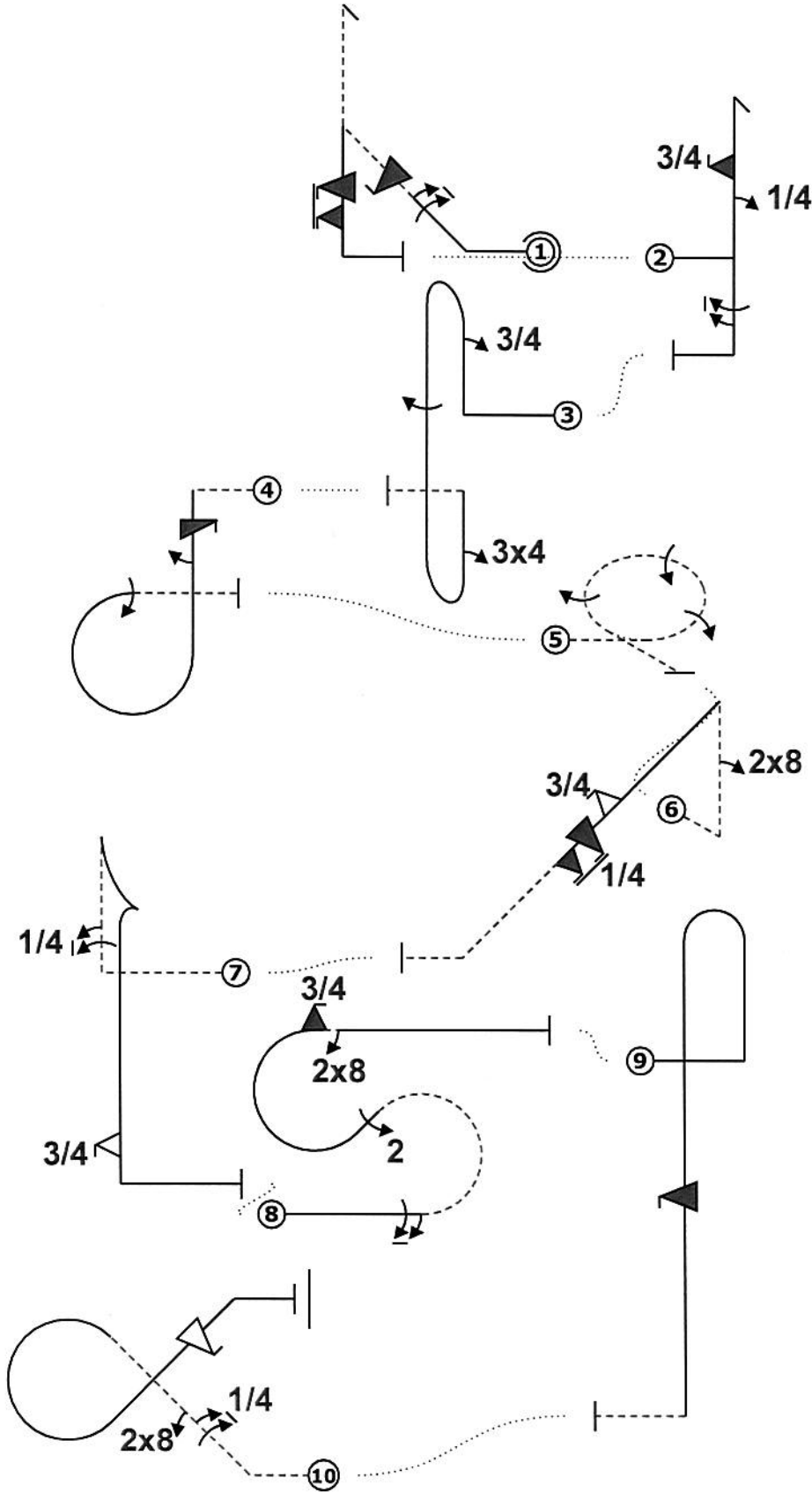
Pilote ID

CIVA Unlimited Programme 1

Form C

Vol N°

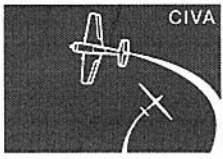
4



Avion

| Fig | Aresti | K | |
|----------------------|-----------|----------------------|----|
| 1 | 5.3.2.1 | 24 | 67 |
| | 9.1.2.6 | 12 | |
| | 9.10.2.4 | 15 | |
| | 9.10.5.6 | 16 | |
| 2 D | 5.2.1.1 | 17 | 50 |
| | 9.1.1.1 | 6 | |
| | 9.10.1.3 | 17 | |
| | 9.1.5.6 | 10 | |
| 3 | 8.8.1.1 | 18 | 48 |
| | 9.1.1.3 | 10 | |
| | 9.1.5.4 | 8 | |
| | 9.4.1.3 | 12 | |
| 4 | 8.6.1.4 | 12 | 31 |
| | 9.12.1.4 | 7 | |
| | 9.1.5.2 | 4 | |
| | 9.1.3.4 | 8 | |
| 5 E | 2.3.5.4 | 37 | 37 |
| 6 | 1.2.7.2 | 17 | 50 |
| | 9.8.1.1 | 7 | |
| | 9.9.4.3 | 11 | |
| | 9.10.4.5 | 15 | |
| 7 B | 6.2.1.4 | 17 | 42 |
| | 9.1.1.5 | 14 | |
| | 9.9.5.3 | 11 | |
| 8 C | 7.5.6.1 | 16 | 53 |
| | 9.1.3.6 | 10 | |
| | 9.2.4.4 | 9 | |
| | 9.10.8.3 | 15 | |
| | 9.8.3.1 | 3 | |
| 9 | 8.4.2.1 | 14 | 29 |
| | 9.10.10.4 | 15 | |
| 10 A | 7.3.1.2 | 14 | 43 |
| | 9.1.2.5 | 11 | |
| | 9.8.2.1 | 5 | |
| | 9.9.2.4 | 13 | |
| Total K = 450 | | (max K = 450) | |

than Vincent
Pilote
HMTM



FAI
AEROBATICS
COMMISSION

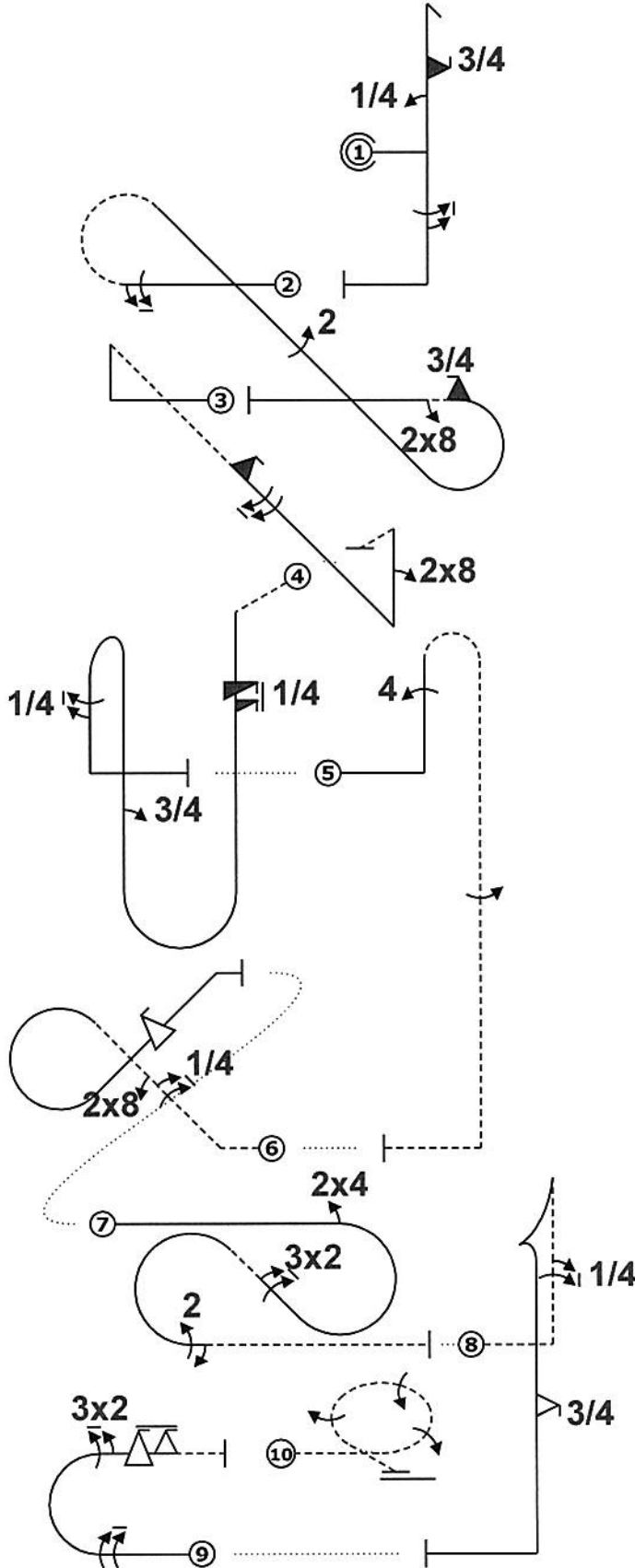
Pilote ID

CIVA Unlimited Programme1

Form B

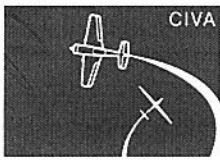
Vol N°

5



| Avion | | | |
|---------------------------------------|----------|----|----|
| Fig | Aresti | K | |
| 1 | 5.2.1.1 | 17 | 50 |
| | 9.1.1.1 | 6 | |
| | 9.10.1.3 | 17 | |
| | 9.1.5.6 | 10 | |
| 2 | 7.5.6.1 | 16 | 53 |
| | 9.1.3.6 | 10 | |
| | 9.2.4.4 | 9 | |
| | 9.10.8.3 | 15 | |
| | 9.8.3.1 | 3 | |
| 3 | 1.3.11.1 | 20 | 52 |
| | 9.10.4.2 | 13 | |
| | 9.1.4.8 | 12 | |
| | 9.8.1.1 | 7 | |
| 4 | 8.8.1.4 | 18 | 43 |
| | 9.12.1.5 | 6 | |
| | 9.1.1.3 | 10 | |
| | 9.1.5.5 | 9 | |
| 5 | 8.4.4.1 | 16 | 39 |
| | 9.4.1.4 | 15 | |
| | 9.1.5.4 | 8 | |
| 6 | 7.3.1.2 | 14 | 43 |
| | 9.1.2.5 | 11 | |
| | 9.8.2.1 | 5 | |
| | 9.9.2.4 | 13 | |
| 7 | 7.5.8.3 | 15 | 47 |
| | 9.4.3.2 | 5 | |
| | 9.2.2.6 | 14 | |
| | 9.2.3.4 | 9 | |
| 8 | 6.2.1.4 | 17 | 42 |
| | 9.1.1.5 | 14 | |
| | 9.9.5.3 | 11 | |
| 9 | 7.2.1.1 | 6 | 44 |
| | 9.1.3.8 | 12 | |
| | 9.2.3.6 | 12 | |
| | 9.9.3.6 | 14 | |
| 10 | 2.3.5.4 | 37 | 37 |
| Total K = 450 (max K = 450) | | | |

ANCHARD Pilote
HODV



FAI

AEROBATICS
COMMISSION

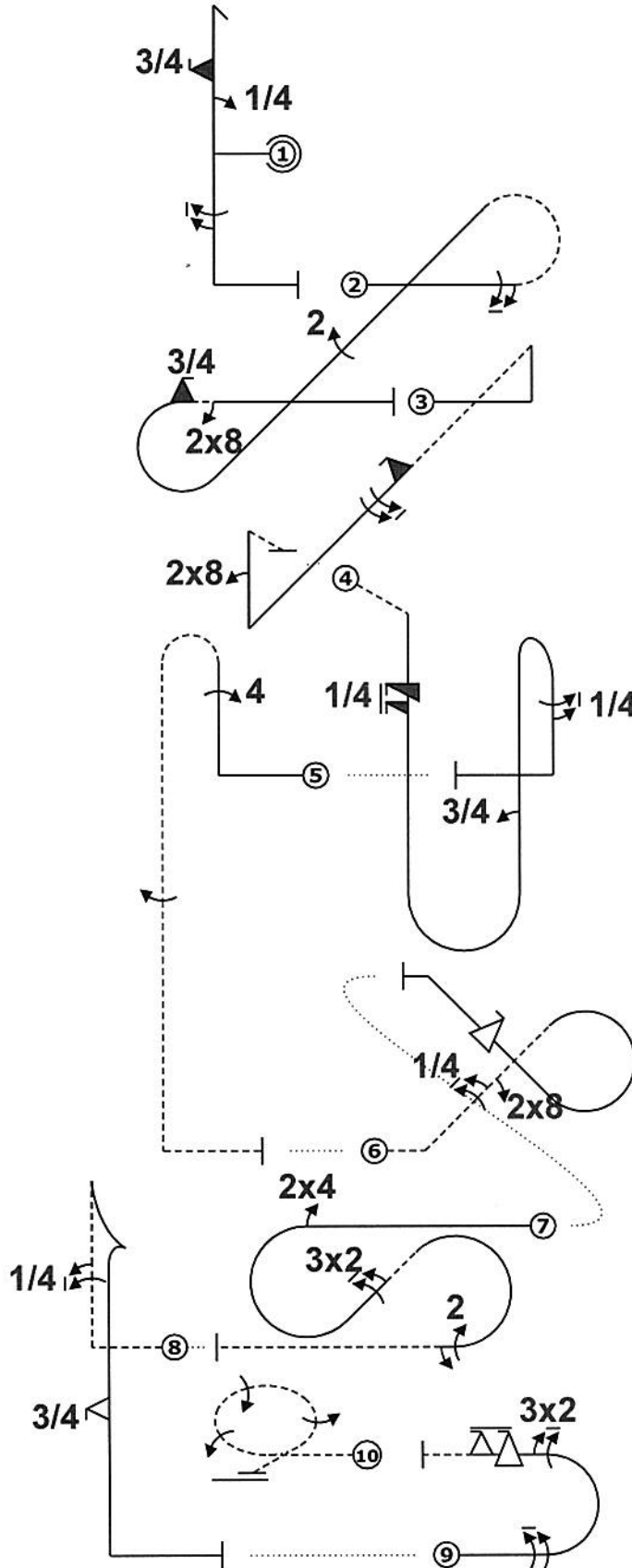
Pilote ID

CIVA Unlimited Programme1

Form C

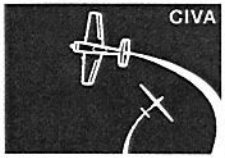
Vol N°

5



| Avion | | | |
|---------------------------------------|----------|----|----|
| Fig | Aresti | K | |
| 1 D | 5.2.1.1 | 17 | 50 |
| | 9.1.1.1 | 6 | |
| | 9.10.1.3 | 17 | |
| | 9.1.5.6 | 10 | |
| 2 C | 7.5.6.1 | 16 | 53 |
| | 9.1.3.6 | 10 | |
| | 9.2.4.4 | 9 | |
| | 9.10.8.3 | 15 | |
| | 9.8.3.1 | 3 | |
| 3 | 1.3.11.1 | 20 | 52 |
| | 9.10.4.2 | 13 | |
| | 9.1.4.8 | 12 | |
| | 9.8.1.1 | 7 | |
| 4 | 8.8.1.4 | 18 | 43 |
| | 9.12.1.5 | 6 | |
| | 9.1.1.3 | 10 | |
| | 9.1.5.5 | 9 | |
| 5 | 8.4.4.1 | 16 | 39 |
| | 9.4.1.4 | 15 | |
| | 9.1.5.4 | 8 | |
| 6 A | 7.3.1.2 | 14 | 43 |
| | 9.1.2.5 | 11 | |
| | 9.8.2.1 | 5 | |
| | 9.9.2.4 | 13 | |
| 7 | 7.5.8.3 | 15 | 47 |
| | 9.4.3.2 | 5 | |
| | 9.2.2.6 | 14 | |
| | 9.2.3.4 | 9 | |
| | 9.1.3.2 | 4 | |
| 8 B | 6.2.1.4 | 17 | 42 |
| | 9.1.1.5 | 14 | |
| | 9.9.5.3 | 11 | |
| 9 | 7.2.1.1 | 6 | 44 |
| | 9.1.3.8 | 12 | |
| | 9.2.3.6 | 12 | |
| | 9.9.3.6 | 14 | |
| 10 E | 2.3.5.4 | 37 | 37 |
| Total K = 450 (max K = 450) | | | |

LANCHARD Pilote
HODV ion



CIVA

FAI

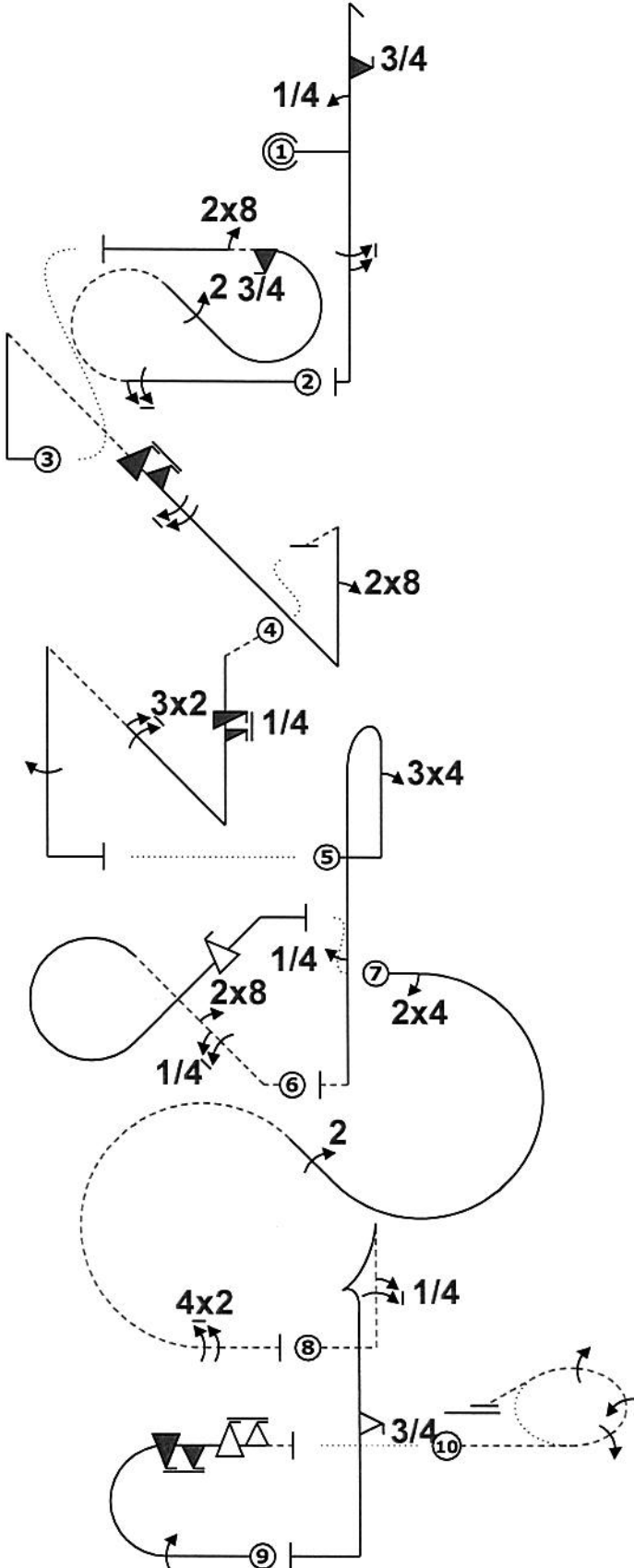
AEROBATICS
COMMISSION

Pilote ID

CIVA Unlimited Free Known

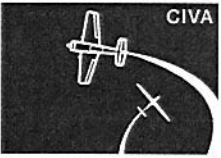
Form B

Vol N°
6



| Avion | | | |
|---------------------------------------|----------|----|----|
| Fig | Aresti | K | |
| 1 D | 5.2.1.1 | 17 | 50 |
| | 9.1.1.1 | 6 | |
| | 9.10.1.3 | 17 | |
| | 9.1.5.6 | 10 | |
| 2 C | 7.5.6.1 | 16 | 53 |
| | 9.1.3.6 | 10 | |
| | 9.2.4.4 | 9 | |
| | 9.10.8.3 | 15 | |
| | 9.8.3.1 | 3 | |
| 3 | 1.3.11.1 | 20 | 55 |
| | 9.10.4.6 | 16 | |
| | 9.1.4.8 | 12 | |
| | 9.8.1.1 | 7 | |
| 4 | 1.3.11.4 | 20 | 48 |
| | 9.12.1.5 | 6 | |
| | 9.2.2.6 | 14 | |
| | 9.1.5.4 | 8 | |
| 5 | 8.4.2.1 | 14 | 28 |
| | 9.4.1.3 | 12 | |
| | 9.1.5.1 | 2 | |
| 6 A | 7.3.1.2 | 14 | 43 |
| | 9.1.2.5 | 11 | |
| | 9.8.2.1 | 5 | |
| | 9.9.2.4 | 13 | |
| 7 | 7.5.3.3 | 16 | 47 |
| | 9.4.3.2 | 5 | |
| | 9.2.2.4 | 11 | |
| | 9.2.3.8 | 15 | |
| 8 B | 6.2.1.4 | 17 | 42 |
| | 9.1.1.5 | 14 | |
| | 9.9.5.3 | 11 | |
| 9 | 7.2.1.1 | 6 | 47 |
| | 9.1.3.4 | 8 | |
| | 9.10.8.6 | 19 | |
| | 9.9.3.6 | 14 | |
| 10 E | 2.3.5.4 | 37 | 37 |
| Total K = 450 (max K = 450) | | | |

ovicourt Pilote
HSDA



CIVA

FAI

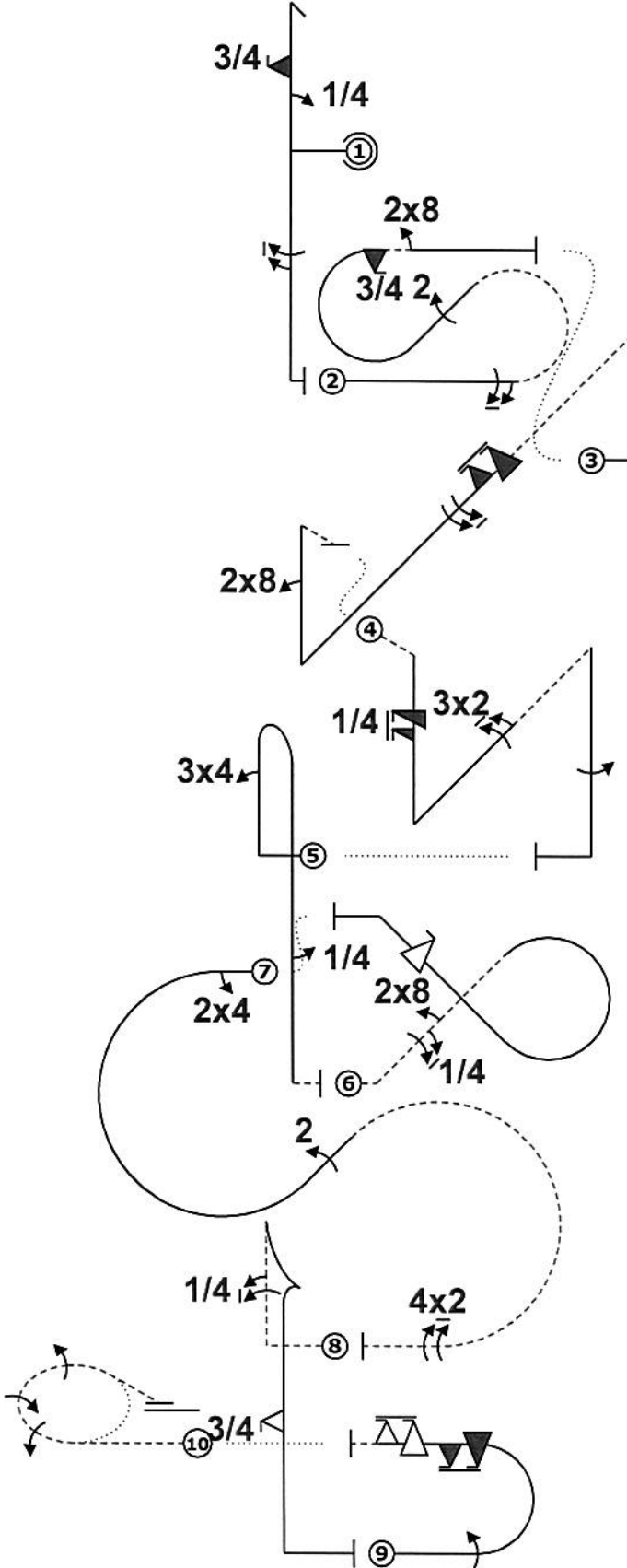
AEROBATICS
COMMISSION

Pilote ID

CIVA Unlimited Free Known

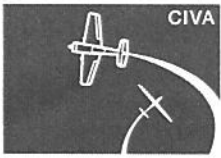
Form C

Vol N°



| Avion | | | |
|----------------------|----------|----------------------|----|
| Fig | Aresti | K | |
| 1 | 5.2.1.1 | 17 | 50 |
| | 9.1.1.1 | 6 | |
| | 9.10.1.3 | 17 | |
| | 9.1.5.6 | 10 | |
| 2 | 7.5.6.1 | 16 | 53 |
| | 9.1.3.6 | 10 | |
| | 9.2.4.4 | 9 | |
| | 9.10.8.3 | 15 | |
| | 9.8.3.1 | 3 | |
| 3 | 1.3.11.1 | 20 | 55 |
| | 9.10.4.6 | 16 | |
| | 9.1.4.8 | 12 | |
| | 9.8.1.1 | 7 | |
| 4 | 1.3.11.4 | 20 | 48 |
| | 9.12.1.5 | 6 | |
| | 9.2.2.6 | 14 | |
| | 9.1.5.4 | 8 | |
| 5 | 8.4.2.1 | 14 | 28 |
| | 9.4.1.3 | 12 | |
| | 9.1.5.1 | 2 | |
| 6 | 7.3.1.2 | 14 | 43 |
| | 9.1.2.5 | 11 | |
| | 9.8.2.1 | 5 | |
| | 9.9.2.4 | 13 | |
| 7 | 7.5.3.3 | 16 | 47 |
| | 9.4.3.2 | 5 | |
| | 9.2.2.4 | 11 | |
| | 9.2.3.8 | 15 | |
| 8 | 6.2.1.4 | 17 | 42 |
| | 9.1.1.5 | 14 | |
| | 9.9.5.3 | 11 | |
| 9 | 7.2.1.1 | 6 | 47 |
| | 9.1.3.4 | 8 | |
| | 9.10.8.6 | 19 | |
| | 9.9.3.6 | 14 | |
| 10 | 2.3.5.4 | 37 | 37 |
| Total K = 450 | | (max K = 450) | |

ovicourt Pilote
HSDA



CIVA

FAI

AEROBATICS
COMMISSION

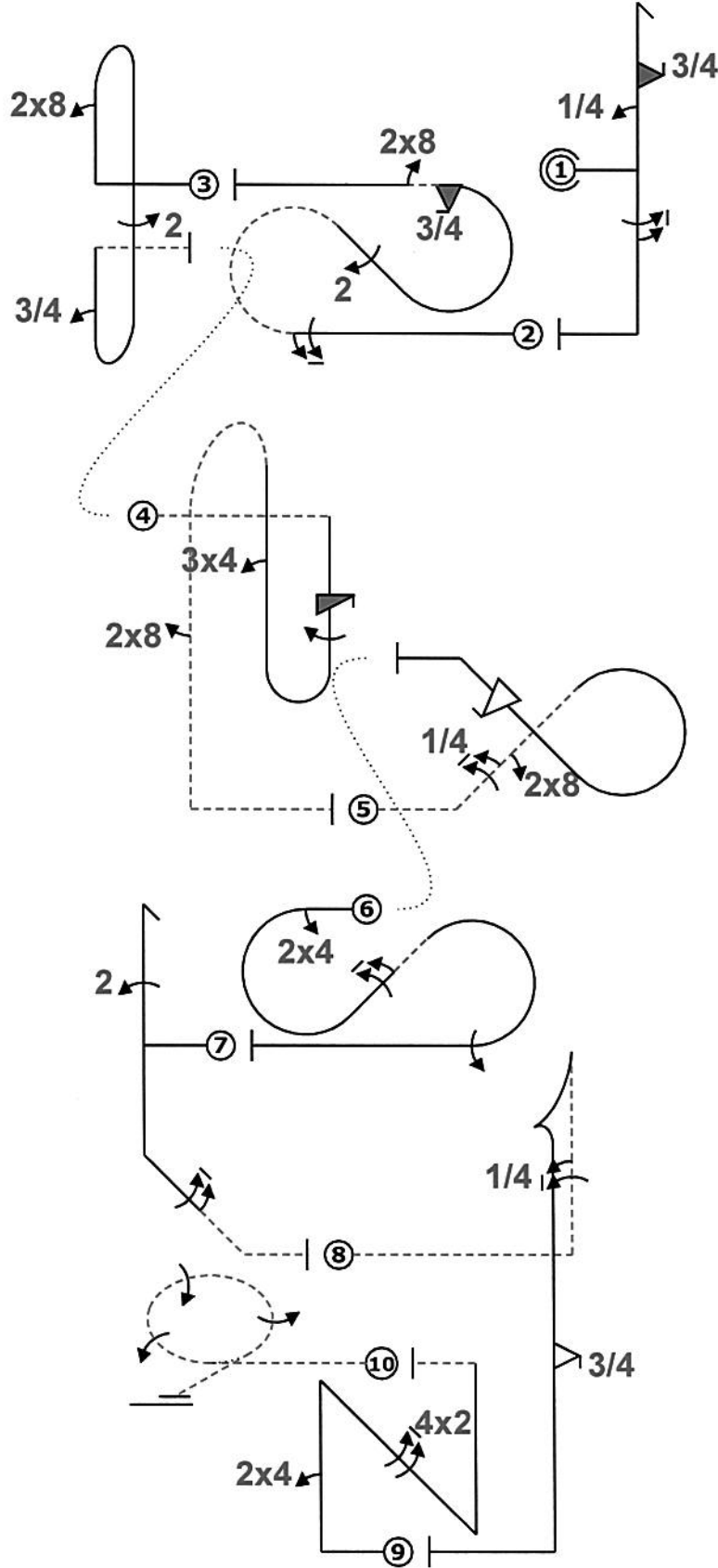
Pilote ID

CIVA Unlimited Free Known

Form B

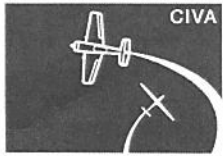
Vol N°

7



| Avion | | | |
|---------------------------------------|----------|----|----|
| Fig | Aresti | K | |
| 1 D | 5.2.1.1 | 17 | 50 |
| | 9.1.1.1 | 6 | |
| | 9.10.1.3 | 17 | |
| | 9.1.5.6 | 10 | |
| 2 C | 7.5.6.1 | 16 | 53 |
| | 9.1.3.6 | 10 | |
| | 9.2.4.4 | 9 | |
| | 9.10.8.3 | 15 | |
| | 9.8.3.1 | 3 | |
| 3 | 8.8.1.1 | 18 | 44 |
| | 9.8.1.1 | 7 | |
| | 9.2.5.4 | 9 | |
| | 9.1.1.3 | 10 | |
| 4 | 8.8.4.4 | 22 | 52 |
| | 9.12.1.4 | 7 | |
| | 9.1.5.4 | 8 | |
| | 9.4.1.3 | 12 | |
| | 9.8.5.1 | 3 | |
| 5 A | 7.3.1.2 | 14 | 43 |
| | 9.1.2.5 | 11 | |
| | 9.8.2.1 | 5 | |
| | 9.9.2.4 | 13 | |
| 6 | 7.5.5.3 | 15 | 40 |
| | 9.4.3.2 | 5 | |
| | 9.1.2.6 | 12 | |
| | 9.1.3.4 | 8 | |
| 7 | 5.3.4.3 | 20 | 43 |
| | 9.2.1.4 | 13 | |
| | 9.1.4.6 | 10 | |
| 8 B | 6.2.1.4 | 17 | 42 |
| | 9.1.1.5 | 14 | |
| | 9.9.5.3 | 11 | |
| 9 | 1.3.14.1 | 22 | 46 |
| | 9.4.1.2 | 9 | |
| | 9.2.4.8 | 15 | |
| 10 E | 2.3.5.4 | 37 | 37 |
| Total K = 450 (max K = 450) | | | |

~~ALLOUE~~ Pilote
C FTGC



CIVA

FAI

AEROBATICS
COMMISSION

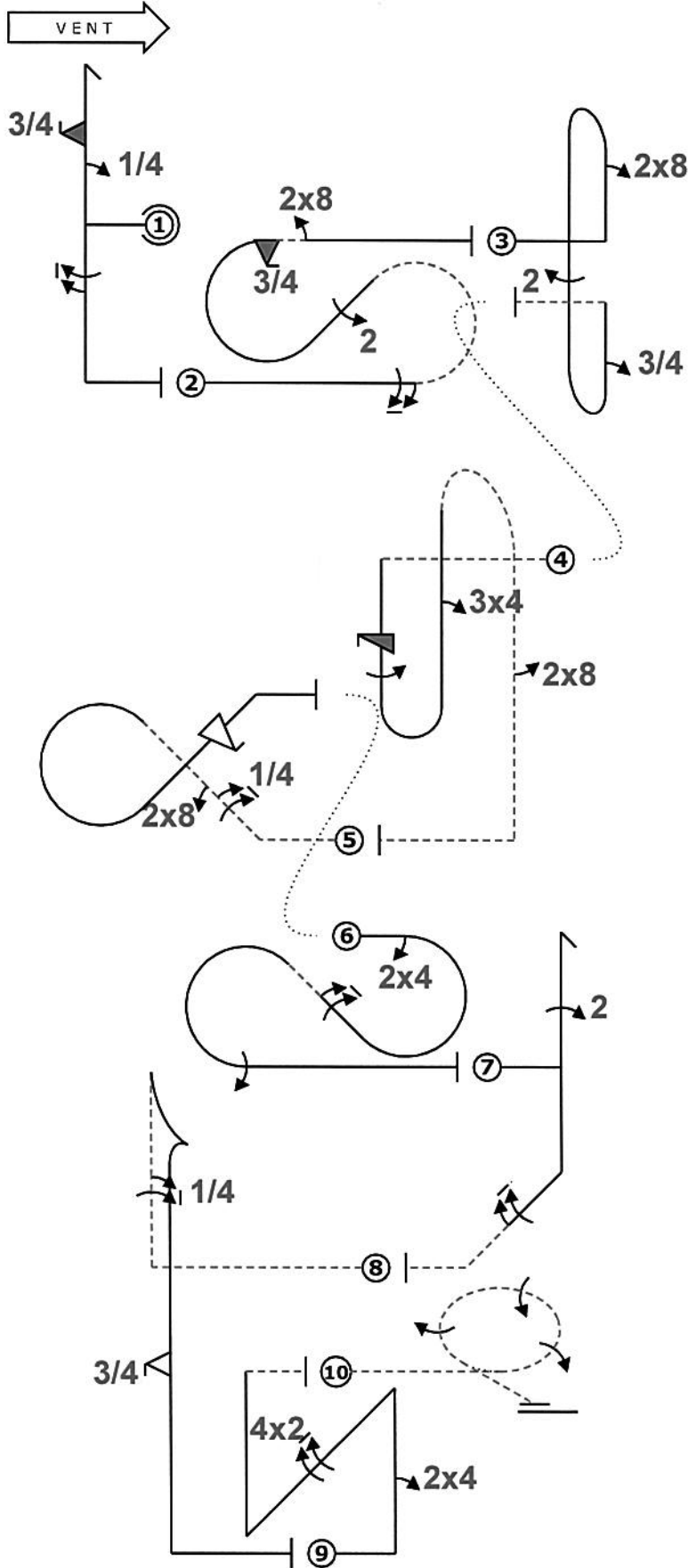
Pilote ID

CIVA Unlimited Free Known

Form C

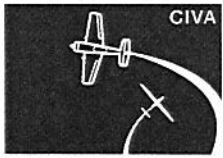
Vol N°

7



| Avion | | | |
|---------------------------------------|----------|----|----|
| Fig | Aresti | K | |
| 1 D | 5.2.1.1 | 17 | 50 |
| | 9.1.1.1 | 6 | |
| | 9.10.1.3 | 17 | |
| | 9.1.5.6 | 10 | |
| 2 C | 7.5.6.1 | 16 | 53 |
| | 9.1.3.6 | 10 | |
| | 9.2.4.4 | 9 | |
| | 9.10.8.3 | 15 | |
| | 9.8.3.1 | 3 | |
| 3 | 8.8.1.1 | 18 | 44 |
| | 9.8.1.1 | 7 | |
| | 9.2.5.4 | 9 | |
| | 9.1.1.3 | 10 | |
| 4 | 8.8.4.4 | 22 | 52 |
| | 9.12.1.4 | 7 | |
| | 9.1.5.4 | 8 | |
| | 9.4.1.3 | 12 | |
| | 9.8.5.1 | 3 | |
| 5 A | 7.3.1.2 | 14 | 43 |
| | 9.1.2.5 | 11 | |
| | 9.8.2.1 | 5 | |
| | 9.9.2.4 | 13 | |
| 6 | 7.5.5.3 | 15 | 40 |
| | 9.4.3.2 | 5 | |
| | 9.1.2.6 | 12 | |
| | 9.1.3.4 | 8 | |
| 7 | 5.3.4.3 | 20 | 43 |
| | 9.2.1.4 | 13 | |
| | 9.1.4.6 | 10 | |
| 8 B | 6.2.1.4 | 17 | 42 |
| | 9.1.1.5 | 14 | |
| | 9.9.5.3 | 11 | |
| 9 | 1.3.14.1 | 22 | 46 |
| | 9.4.1.2 | 9 | |
| | 9.2.4.8 | 15 | |
| 10 E | 2.3.5.4 | 37 | 37 |
| Total K = 450 (max K = 450) | | | |

ALLOUE Pilote
C FTGC



CIVA

FAI

AEROBATICS
COMMISSION

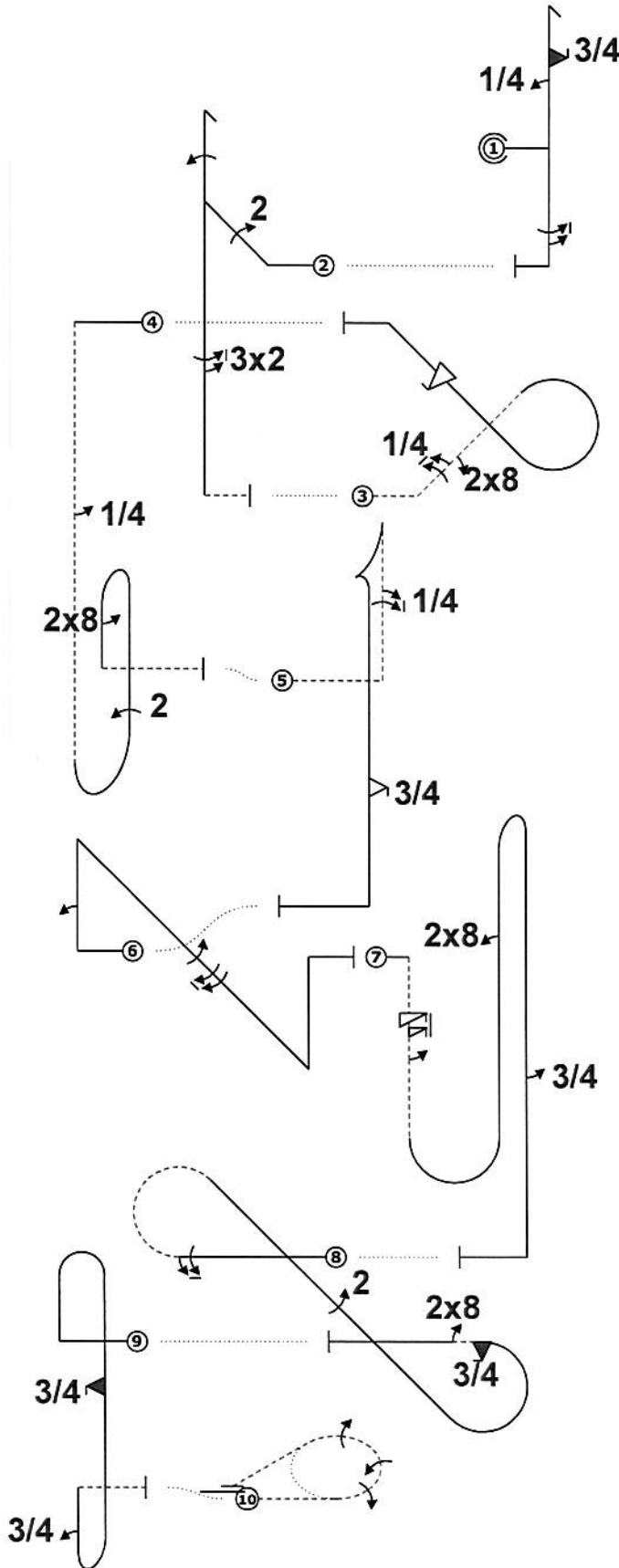
Pilote ID

CIVA Unlimited Free Known

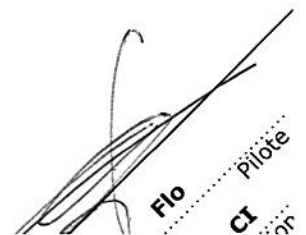
Form B

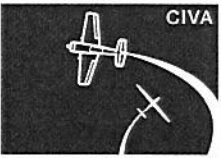
Vol N°

8



| Avion | | | |
|----------------------|-----------|----|----|
| Fig | Aresti | K | |
| 1 | 5.2.1.1 | 17 | 50 |
| | 9.1.1.1 | 6 | |
| | 9.10.1.3 | 17 | |
| | 9.1.5.6 | 10 | |
| 2 | 5.3.1.3 | 20 | 55 |
| | 9.2.2.4 | 11 | |
| | 9.1.1.4 | 12 | |
| | 9.2.5.6 | 12 | |
| 3 | 7.3.1.2 | 14 | 43 |
| | 9.1.2.5 | 11 | |
| | 9.8.2.1 | 5 | |
| | 9.9.2.4 | 13 | |
| 4 | 8.8.7.3 | 20 | 38 |
| | 9.1.5.1 | 2 | |
| | 9.2.1.4 | 13 | |
| | 9.8.5.1 | 3 | |
| 5 | 6.2.1.4 | 17 | 42 |
| | 9.1.1.5 | 14 | |
| | 9.9.5.3 | 11 | |
| 6 | 1.3.13.1 | 22 | 50 |
| | 9.1.1.2 | 8 | |
| | 9.1.4.4 | 8 | |
| | 9.1.4.8 | 12 | |
| 7 | 8.8.8.3 | 19 | 39 |
| | 9.11.1.6 | 3 | |
| | 9.1.5.2 | 4 | |
| | 9.8.1.1 | 7 | |
| 8 | 7.5.6.1 | 16 | 53 |
| | 9.1.3.6 | 10 | |
| | 9.2.4.4 | 9 | |
| | 9.10.8.3 | 15 | |
| 9 | 9.8.3.1 | 3 | 43 |
| | 8.8.1.1 | 18 | |
| | 9.10.10.3 | 15 | |
| | 9.1.1.3 | 10 | |
| 10 | 2.3.5.4 | 37 | 37 |
| Total K = 450 | | | |
| (max K = 450) | | | |





CIVA

FAI

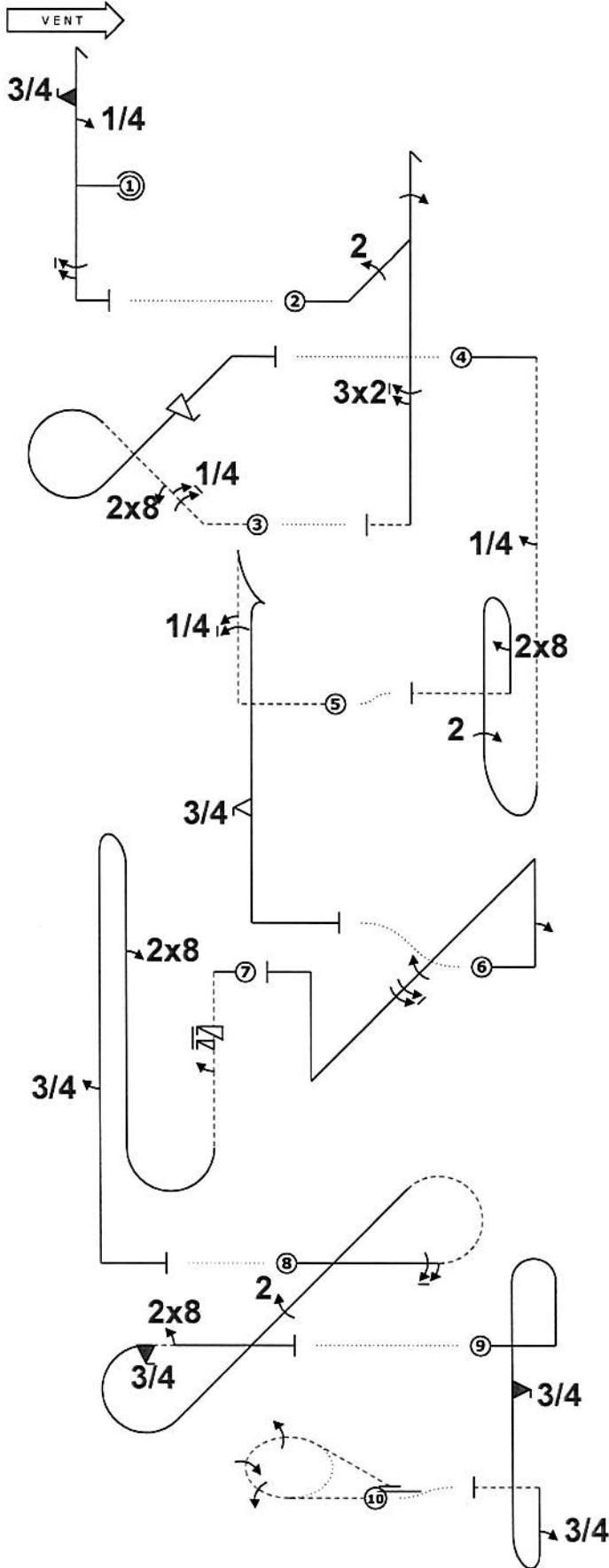
AEROBATICS
COMMISSION

Pilote ID

CIVA Unlimited Free Known

Form C

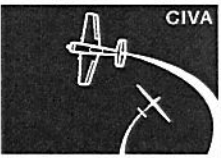
Vol N°



Avion

| Fig | Aresti | K | |
|----------------------|-----------|----|----|
| 1 | 5.2.1.1 | 17 | 50 |
| | 9.1.1.1 | 6 | |
| | 9.10.1.3 | 17 | |
| | 9.1.5.6 | 10 | |
| 2 | 5.3.1.3 | 20 | 55 |
| | 9.2.2.4 | 11 | |
| | 9.1.1.4 | 12 | |
| | 9.2.5.6 | 12 | |
| 3 | 7.3.1.2 | 14 | 43 |
| | 9.1.2.5 | 11 | |
| | 9.8.2.1 | 5 | |
| | 9.9.2.4 | 13 | |
| 4 | 8.8.7.3 | 20 | 38 |
| | 9.1.5.1 | 2 | |
| | 9.2.1.4 | 13 | |
| | 9.8.5.1 | 3 | |
| 5 | 6.2.1.4 | 17 | 42 |
| | 9.1.1.5 | 14 | |
| | 9.9.5.3 | 11 | |
| 6 | 1.3.13.1 | 22 | 50 |
| | 9.1.1.2 | 8 | |
| | 9.1.4.4 | 8 | |
| | 9.1.4.8 | 12 | |
| 7 | 8.8.8.3 | 19 | 39 |
| | 9.11.1.6 | 3 | |
| | 9.1.5.2 | 4 | |
| | 9.8.1.1 | 7 | |
| 8 | 7.5.6.1 | 16 | 53 |
| | 9.1.3.6 | 10 | |
| | 9.2.4.4 | 9 | |
| | 9.10.8.3 | 15 | |
| 9 | 9.8.3.1 | 3 | 43 |
| | 8.8.1.1 | 18 | |
| | 9.10.10.3 | 15 | |
| 10 | 9.1.1.3 | 10 | 37 |
| | 2.3.5.4 | 37 | |
| Total K = 450 | | | |
| (max K = 450) | | | |

Flo
Cl
Pilote



CIVA

FAI

AEROBATICS
COMMISSION

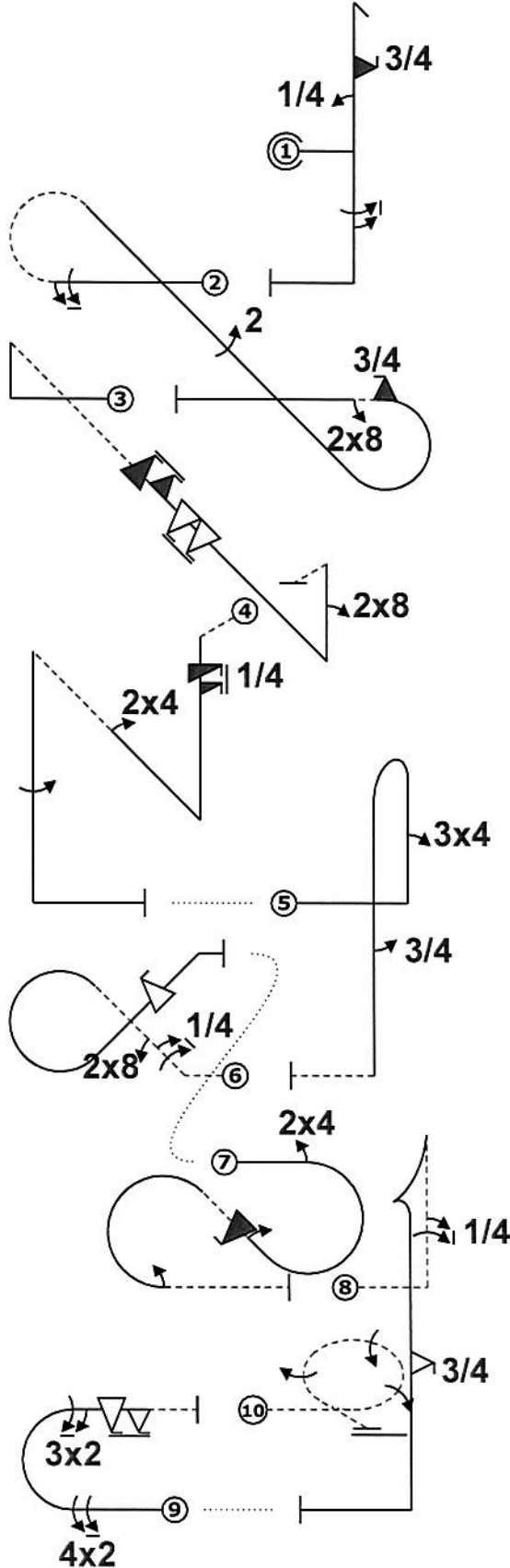
Pilote ID

CIVA Unlimited Programme1

Form B

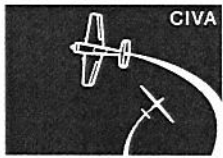
Vol N°

9



| Avion | | | |
|---------------------------------------|----------|----|----|
| Fig | Aresti | K | |
| 1 D | 5.2.1.1 | 17 | 50 |
| | 9.1.1.1 | 6 | |
| | 9.10.1.3 | 17 | |
| | 9.1.5.6 | 10 | |
| 2 C | 7.5.6.1 | 16 | 53 |
| | 9.1.3.6 | 10 | |
| | 9.2.4.4 | 9 | |
| | 9.10.8.3 | 15 | |
| | 9.8.3.1 | 3 | |
| 3 | 1.3.11.1 | 20 | 60 |
| | 9.10.4.6 | 16 | |
| | 9.9.4.8 | 17 | |
| | 9.8.1.1 | 7 | |
| 4 | 1.3.11.4 | 20 | 41 |
| | 9.12.1.5 | 6 | |
| | 9.4.2.2 | 7 | |
| | 9.1.5.4 | 8 | |
| 5 | 8.4.2.1 | 14 | 32 |
| | 9.4.1.3 | 12 | |
| | 9.1.5.3 | 6 | |
| 6 A | 7.3.1.2 | 14 | 43 |
| | 9.1.2.5 | 11 | |
| | 9.8.2.1 | 5 | |
| | 9.9.2.4 | 13 | |
| 7 | 7.5.8.3 | 15 | 45 |
| | 9.4.3.2 | 5 | |
| | 9.1.2.2 | 6 | |
| | 9.10.2.4 | 15 | |
| | 9.1.3.2 | 4 | |
| 8 B | 6.2.1.4 | 17 | 42 |
| | 9.1.1.5 | 14 | |
| | 9.9.5.3 | 11 | |
| 9 | 7.2.1.1 | 6 | 47 |
| | 9.2.3.8 | 15 | |
| | 9.2.3.6 | 12 | |
| | 9.9.3.6 | 14 | |
| 10 E | 2.3.5.4 | 37 | 37 |
| Total K = 450 (max K = 450) | | | |

mas LIBAUD Pilote
FHMKF



CIVA

FAI

AEROBATICS
COMMISSION

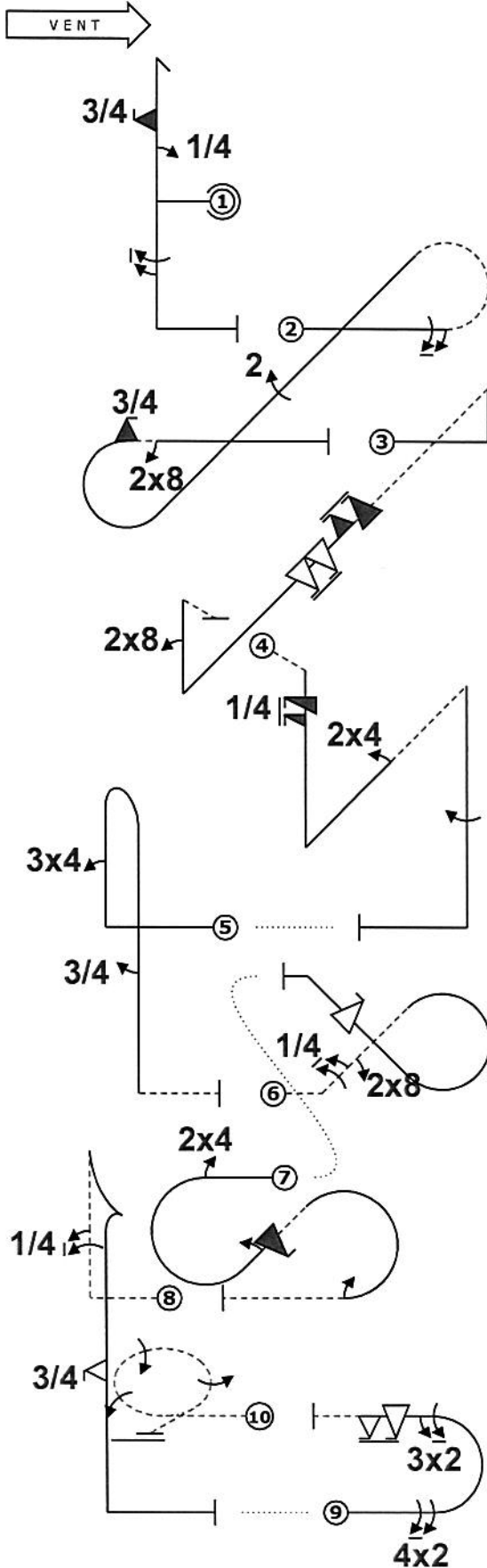
Pilote ID

CIVA Unlimited Programme1

Form C

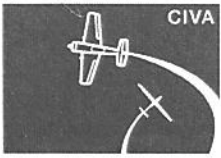
Vol N°

9



| Avion | | | |
|---------------------------------------|----------|----|----|
| Fig | Aresti | K | |
| 1 D | 5.2.1.1 | 17 | 50 |
| | 9.1.1.1 | 6 | |
| | 9.10.1.3 | 17 | |
| | 9.1.5.6 | 10 | |
| 2 C | 7.5.6.1 | 16 | 53 |
| | 9.1.3.6 | 10 | |
| | 9.2.4.4 | 9 | |
| | 9.10.8.3 | 15 | |
| | 9.8.3.1 | 3 | |
| 3 | 1.3.11.1 | 20 | 60 |
| | 9.10.4.6 | 16 | |
| | 9.9.4.8 | 17 | |
| | 9.8.1.1 | 7 | |
| 4 | 1.3.11.4 | 20 | 41 |
| | 9.12.1.5 | 6 | |
| | 9.4.2.2 | 7 | |
| | 9.1.5.4 | 8 | |
| 5 | 8.4.2.1 | 14 | 32 |
| | 9.4.1.3 | 12 | |
| | 9.1.5.3 | 6 | |
| 6 A | 7.3.1.2 | 14 | 43 |
| | 9.1.2.5 | 11 | |
| | 9.8.2.1 | 5 | |
| | 9.9.2.4 | 13 | |
| 7 | 7.5.8.3 | 15 | 45 |
| | 9.4.3.2 | 5 | |
| | 9.1.2.2 | 6 | |
| | 9.10.2.4 | 15 | |
| | 9.1.3.2 | 4 | |
| 8 B | 6.2.1.4 | 17 | 42 |
| | 9.1.1.5 | 14 | |
| | 9.9.5.3 | 11 | |
| 9 | 7.2.1.1 | 6 | 47 |
| | 9.2.3.8 | 15 | |
| | 9.2.3.6 | 12 | |
| | 9.9.3.6 | 14 | |
| 10 E | 2.3.5.4 | 37 | 37 |
| Total K = 450 (max K = 450) | | | |

mas LIBAUD Pilote
THMKF

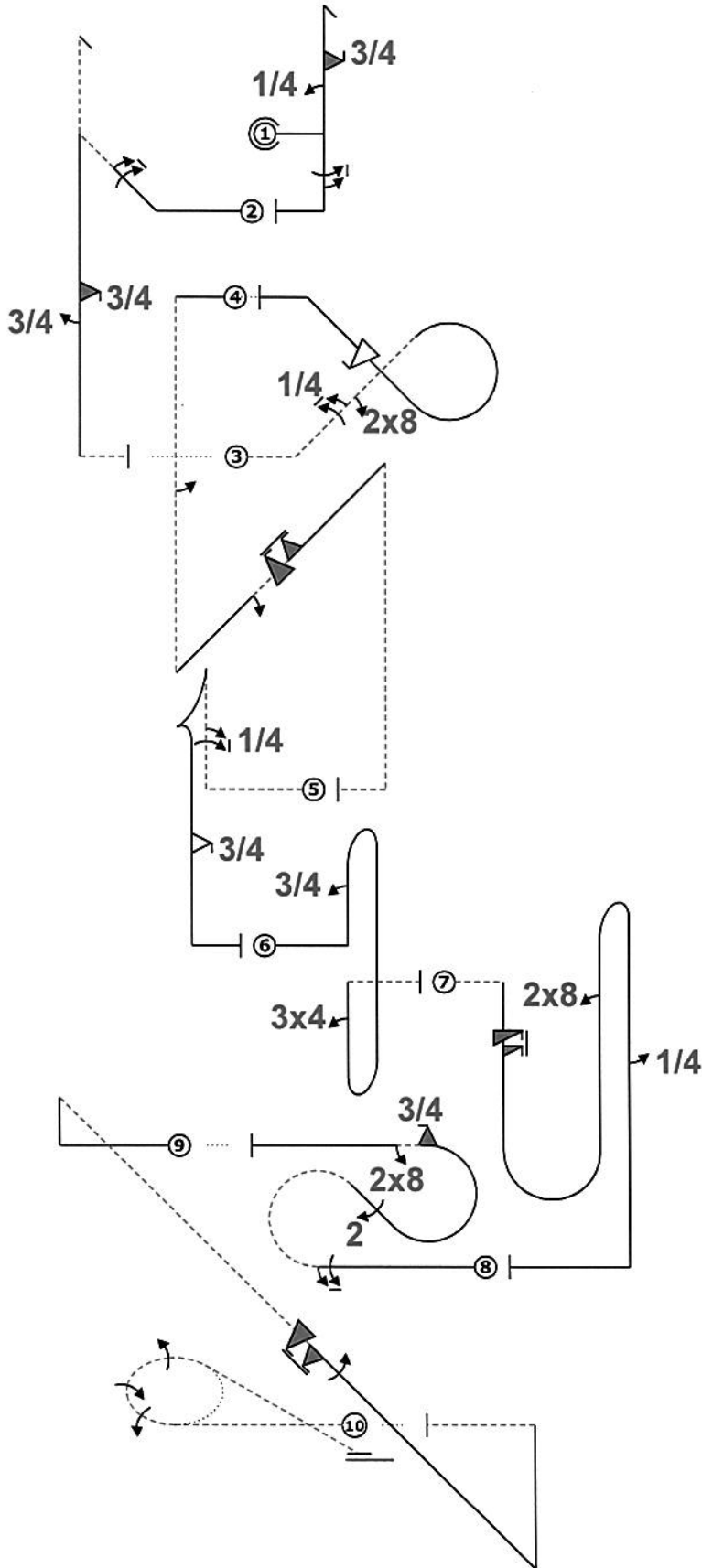


Pilote ID

CIVA Unlimited Programme 1

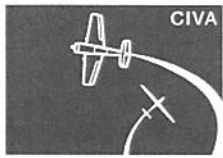
Vol N°

10



| Avion | | |
|----------------------|----------|----|
| Fig | Aresti | K |
| 1 D | 5.2.1.1 | 17 |
| | 9.1.1.1 | 6 |
| | 9.10.1.3 | 17 |
| | 9.1.5.6 | 10 |
| | | 50 |
| 2 | 5.3.2.3 | 25 |
| | 9.1.2.6 | 12 |
| | 9.10.5.3 | 13 |
| | 9.1.5.3 | 6 |
| | | 56 |
| 3 A | 7.3.1.2 | 14 |
| | 9.1.2.5 | 11 |
| | 9.8.2.1 | 5 |
| | 9.9.2.4 | 13 |
| | | 43 |
| 4 | 1.3.14.3 | 24 |
| | 9.1.5.2 | 4 |
| | 9.1.2.2 | 6 |
| | 9.10.2.6 | 19 |
| | | 53 |
| 5 B | 6.2.1.4 | 17 |
| | 9.1.1.5 | 14 |
| | 9.9.5.3 | 11 |
| | | 42 |
| 6 | 8.8.1.1 | 18 |
| | 9.1.1.3 | 10 |
| | 9.4.1.3 | 12 |
| | | 40 |
| 7 | 8.8.1.4 | 18 |
| | 9.12.1.6 | 5 |
| | 9.8.1.1 | 7 |
| | 9.1.5.1 | 2 |
| | | 32 |
| 8 C | 7.5.6.1 | 16 |
| | 9.1.3.6 | 10 |
| | 9.2.4.4 | 9 |
| | 9.10.8.3 | 15 |
| | 9.8.3.1 | 3 |
| | | 53 |
| 9 | 1.3.11.1 | 20 |
| | 9.10.4.6 | 16 |
| | 9.1.4.4 | 8 |
| | | 44 |
| 10 E | 2.3.5.4 | 37 |
| | | 37 |
| Total K = 450 | | |
| (max K = 450) | | |

BLAWSKI Pilote
FTGCJ



CF1 2020

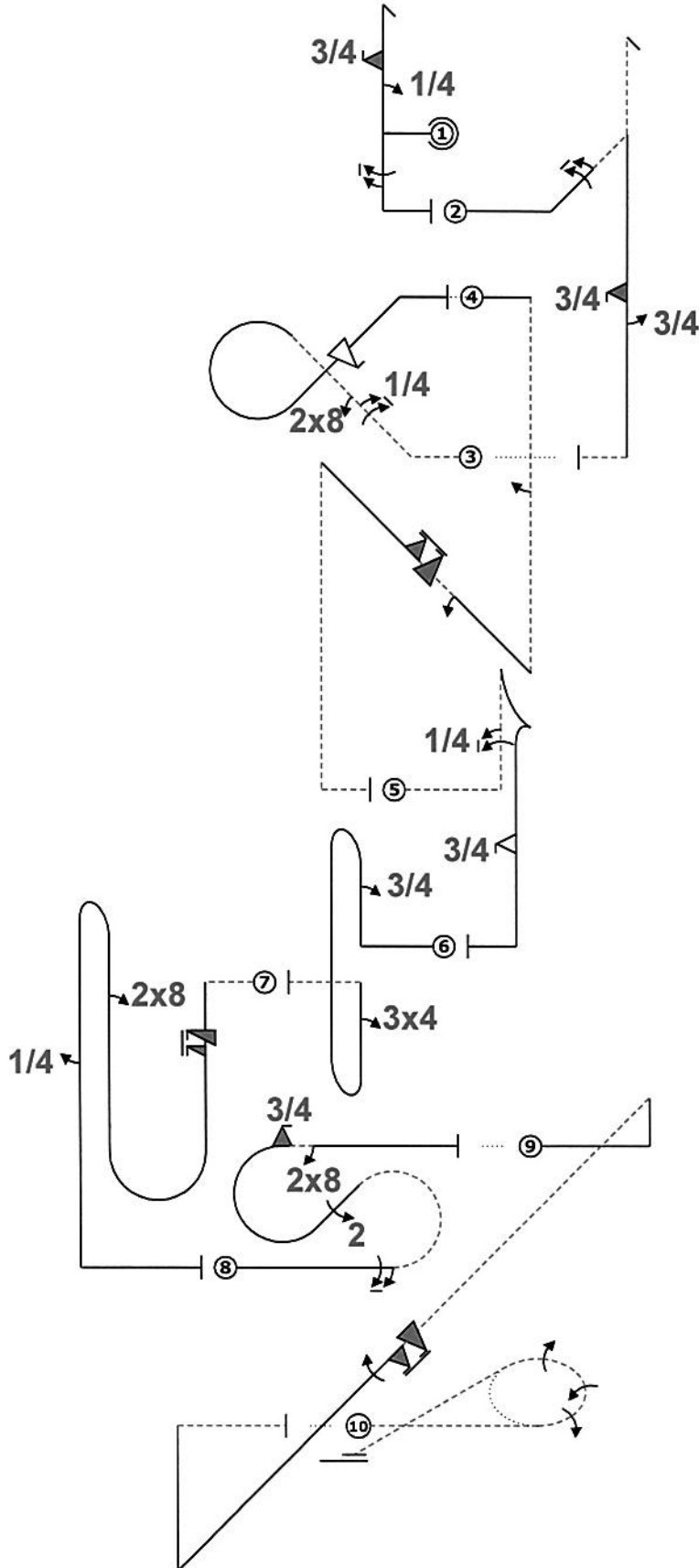
Form C

FAI AEROBATICS COMMISSION

Pilote ID

CIVA Unlimited Programme1

Vol. N° 10



| Avion | | | |
|----------------------|----------|----------------------|----|
| Fig | Aresti | K | |
| 1 | 5.2.1.1 | 17 | 50 |
| | 9.1.1.1 | 6 | |
| | 9.10.1.3 | 17 | |
| | 9.1.5.6 | 10 | |
| 2 | 5.3.2.3 | 25 | 56 |
| | 9.1.2.5 | 12 | |
| | 9.10.5.3 | 13 | |
| | 9.1.5.3 | 6 | |
| 3 | 7.3.1.2 | 14 | 43 |
| | 9.1.2.5 | 11 | |
| | 9.8.2.1 | 5 | |
| | 9.9.2.4 | 13 | |
| 4 | 1.3.14.3 | 24 | 53 |
| | 9.1.5.2 | 4 | |
| | 9.1.2.2 | 6 | |
| | 9.10.2.6 | 19 | |
| 5 | 6.2.1.4 | 17 | 42 |
| | 9.1.1.5 | 14 | |
| | 9.9.5.3 | 11 | |
| 6 | 8.8.1.1 | 18 | 40 |
| | 9.1.1.3 | 10 | |
| | 9.4.1.3 | 12 | |
| 7 | 8.8.1.4 | 18 | 32 |
| | 9.12.1.6 | 5 | |
| | 9.8.1.1 | 7 | |
| | 9.1.5.1 | 2 | |
| 8 | 7.5.6.1 | 16 | 53 |
| | 9.1.3.6 | 10 | |
| | 9.2.4.4 | 9 | |
| | 9.10.8.3 | 15 | |
| | 9.8.3.1 | 3 | |
| 9 | 1.3.11.1 | 20 | 44 |
| | 9.10.4.6 | 16 | |
| | 9.1.4.4 | 8 | |
| 10 | 2.3.5.4 | 37 | 37 |
| Total K = 450 | | (max K = 450) | |

LOWSKI Pilote
FTGCJ